

9. ТЕХНИЧЕСКИЕ ХАРАКТЕРИСТИКИ / КОМПЛЕКТАЦИЯ  
10. ДЕКЛАРАЦИЯ СООТВЕТСТВИЯ



**STATUS®**

**ТЕХНИЧЕСКИЕ ХАРАКТЕРИСТИКИ / КОМПЛЕКТАЦИЯ**

Потребляемая мощность 1200 Вт  
Напряжение 230В~50Гц  
Частота вращения  
без нагрузки 11000 - 30000 об/мин

Максимальная глубина  
фрезерования 55 мм  
Диаметр хвостовика фрезы 6 мм./8 мм.  
Масса изделия 3,4 кг.

**КОМПЛЕКТАЦИЯ:** Фрезер, параллельный упор, патрубок пылеотсоса, ключ, копировальная втулка, цанга 6 мм, центрирующий упор, инструкция, упаковка.

Производитель оставляет за собой право изменять технические параметры изделия и его комплектацию без предварительного уведомления.

**ИНФОРМАЦИЯ О ШУМЕ И ВИБРАЦИЯХ**

**Информация о шуме и вибрациях** (В соответствии с EN 60745):

А-взвешенный уровень звукового давления  $L_{pA}$  86 дБ(А)  
Неопределенность  $K_{pA}$  3.0 дБ  
А-взвешенный уровень звуковой мощности  $L_{wA}$  97 дБ(А)  
Неопределенность  $K_{wA}$  3.0 дБ

**Используйте средства защиты от шума!**

**Излучение вибраций** (измерен в соответствии с т. 6.2.7 EN 60745-1):  
суммарные значения вибраций (векторная сумма трех направлений)  
определенные в соответствии с EN 60745

Величина вибрации  $a_h$  6,23 м/с<sup>2</sup>  
Неопределенность К 1,5 м/с<sup>2</sup>

**ДЕКЛАРАЦИЯ СООТВЕТСТВИЯ**

Фрезер RH1200 торговой марки STATUS соответствует требованиям  
следующих Технических Регламентов Таможенного Союза:  
ТР ТС 004/2011, ТР ТС 010/2011, ТР ТС 020/2011.

Изделия также соответствуют требованиям следующих директив и  
стандартов Европейского Союза: 2014/30/EU, 2006/42/EC,  
EN 60745-1:2009+A11, EN 60745-2-17:2010; EN 55014-1:2006+A1+A2,  
EN 55014-2:2015, EN 61000-3-2:2014, EN 61000-3-3:2013.

Карон Джиасинто  
Директор  
STATUS ITALIA S.R.L.

Информация о сертификате соответствия находится на сайте [www.status-tools.com](http://www.status-tools.com).  
Изготовитель: СТАТУС ИТАЛИЯ С.р.л. Виа Альдо Моро, 14/А, 36060 - Пьянецце, Италия  
Сделано в КНР. Представитель в России: ООО «ИНСТАТУС»  
119590, г. Москва, ул. Мосфильмовская, д. 52, корп. 1

ENG

**ROUTER**

Original instructions

DE

**OBERFRÄSE**

Originalbetriebsanleitung

IT

**FRESATRICE**

Istruzioni originali

BG

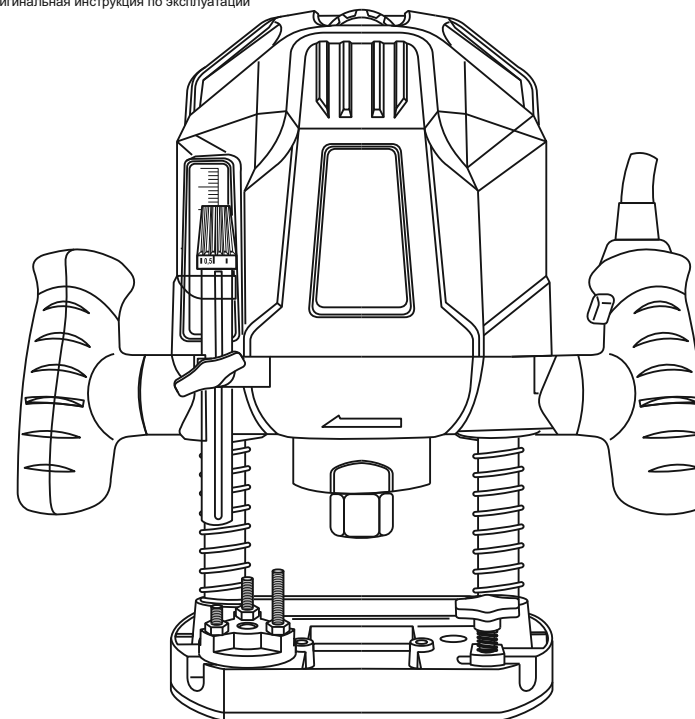
**ФРЕЗА**

Оригинална инструкция за използване

RU

**ФРЕЗЕР**

Оригинальная инструкция по эксплуатации



**RH1200**





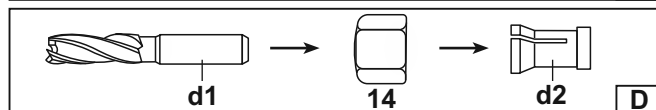
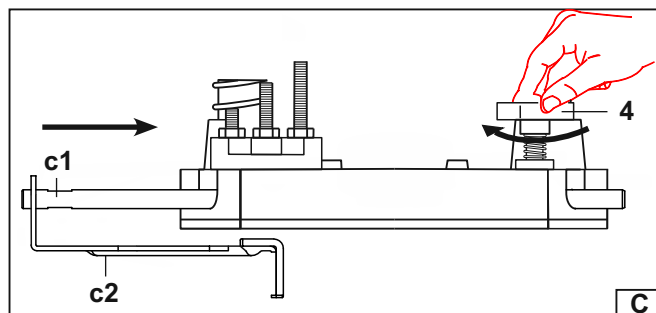
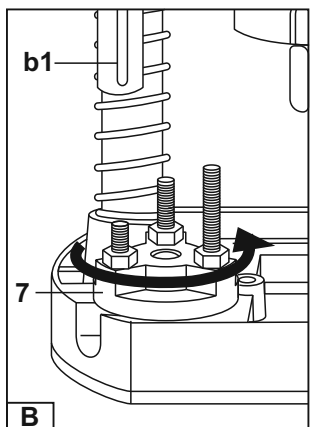
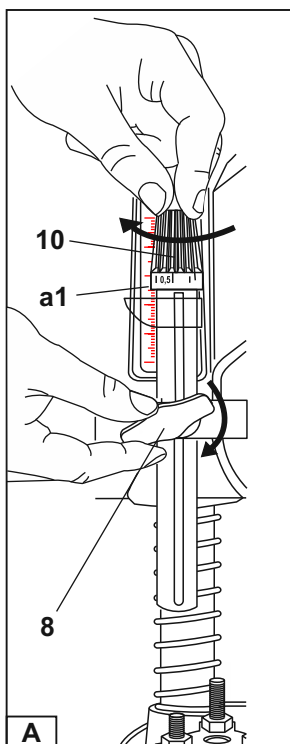
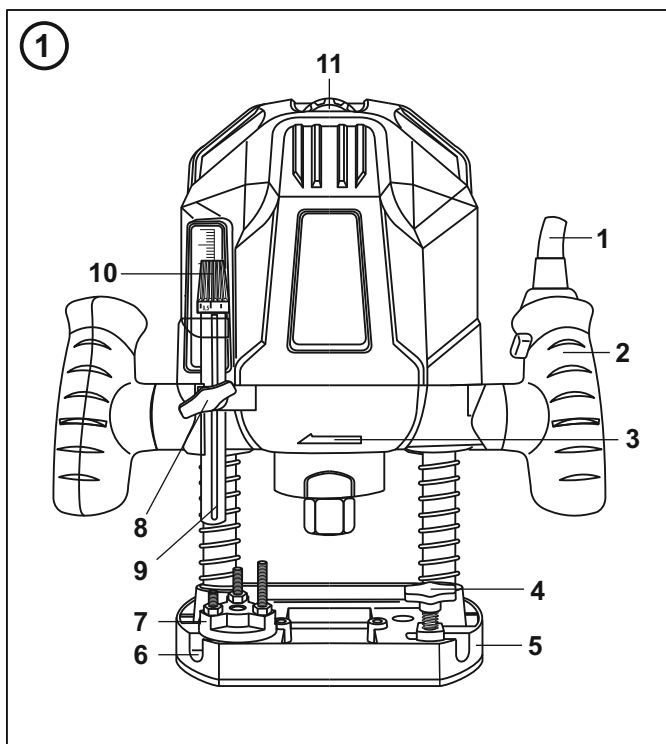
STATUS®

RH1200

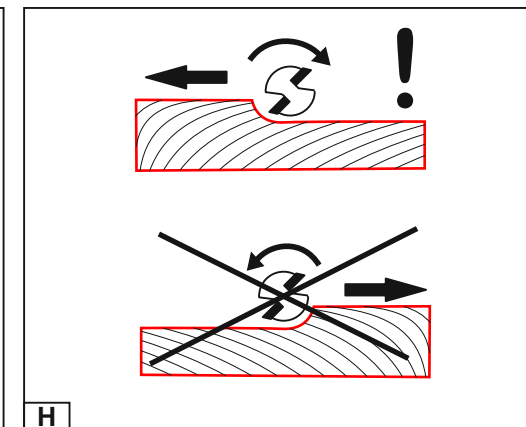
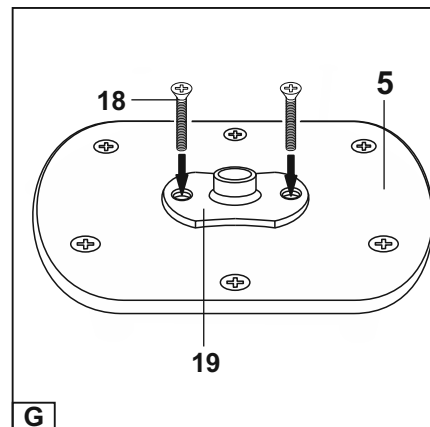
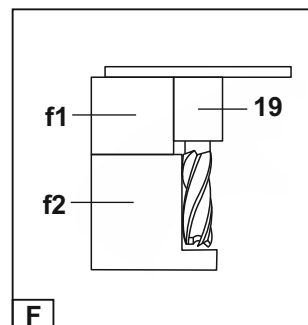
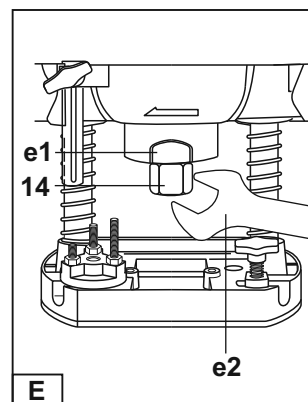


STATUS®

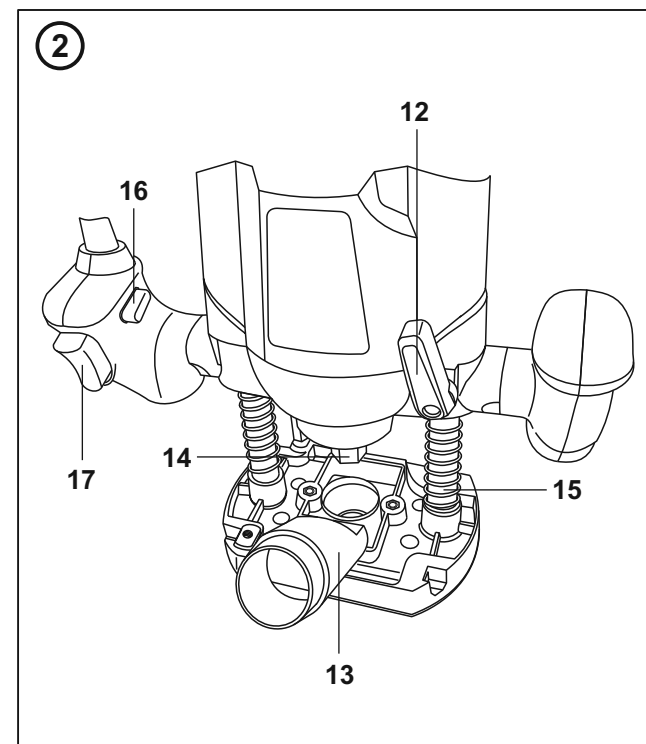
RH1200



2



3



## 1. INTENDED USE

## 2. DEFINITIONS

### INTENDED USE

The router are power tools, designed for routing grooves, round overs, chamfers, profile edges and openings in wood, wooden planes and plastics, by means of straight and profile router bits.

Do not use it for other purposes. Any other use might lead to damage of the power tool or cause personal injury. Altering the power tool, or using parts which were not reviewed or approved by the manufacturer is not allowed.

No liability will be accepted for damage resulting from improper use or non-compliance with these instructions.

### DEFINITIONS

Do not attempt to use this power tool until you have read the safety advice chapter in this manual. Safety items throughout this manual are labeled based on the risk type:

#### DANGER!

Indicates an imminently hazardous situation which, if not avoided, will result in death or serious injury.



#### WARNING!

Indicates a potentially hazardous situation which, if not avoided, could result in death or serious injury.

#### CAUTION!

Indicates a potentially hazardous situation which, if not avoided, could result in minor or moderate injury.



#### NOTE!

Indicates installation, operation, or maintenance information which is important but not hazard-related.

### Symbols used in this manual and/or the product



READ INSTRUCTION MANUAL



DUST PROTECTION MASK



PROTECTIVE GOGGLES



EAR PROTECTORS



PROTECTIVE CLOTHING

## 3. SAFETY ADVICE

### SAFETY ADVICE



**WARNING!** Read all safety warnings and all instructions. Failure to follow all instructions listed below may result in electric shock, fire and/or serious injury. The term "power tool" in the warnings refers to electric router.

### SAVE ALL WARNINGS AND INSTRUCTIONS FOR FUTURE REFERENCE

#### 1) WORK AREA SAFETY

- **Keep work area clean and well lit.** Cluttered or dark areas invite accidents.
- **Do not operate power tools in explosive atmospheres, such as in the presence of flammable liquids, gases or dust.** Power tools create sparks which may ignite the dust or fumes.
- **Keep children and bystanders away while operating a power tool.** Distractions can cause you to lose control.

#### 2) ELECTRICAL SAFETY

- **Power tool plugs must match the outlet. Never modify the plug in any way. Do not use any adapter plugs with earthed (grounded) power tools.** Unmodified plugs and matching outlets will reduce risk of electric shock.
- **Avoid body contact with earthed or grounded surfaces, such as pipes, radiators, ranges and refrigerators.** There is an increased risk of electric shock if your body is earthed or grounded.
- **Do not expose power tools to rain or wet conditions.** Water entering a power tool will increase the risk of electric shock.
- **Do not abuse the cord. Never use the cord for carrying, pulling or unplugging the power tool. Keep cord away from heat, oil, sharp edges or moving parts.** Damaged or entangled cords increase the risk of electric shock.
- **When operating a power tool outdoors, use an extension cord suitable for outdoor use.** Use of a cord suitable for outdoor use reduces the risk of electric shock.
- **If operating a power tool in a damp location is unavoidable, use a residual current device (RCD) protected supply.** Use of an RCD reduces the risk of electric shock.
- **Regularly check the power plug and power cord for damage.** If the supply cord is damaged, it must be replaced by a special cord or assembly available from the manufacturer or its service agent.

#### 3) PERSONAL SAFETY

- **Stay alert, watch what you are doing and use common sense when operating a power tool. Do not use a power tool while you are tired or under the influence of drugs, alcohol or medication.** A moment of inattention while operating power tools may result in serious personal injury.

### 3. SAFETY ADVICE

- **Use personal protective equipment. Always wear eye protection.** Protective equipment such as dust mask, non-skid safety shoes, hard hat, or hearing protection used for appropriate conditions will reduce personal injuries.
  - **Prevent unintentional starting. Ensure the switch is in the off position before connecting to power source and/or battery pack, picking up or carrying the tool.** Carrying power tools with your finger on the switch or energising power tools that have the switch on invites accidents.
  - **Remove any adjusting key or wrench before turning the power tool on.** A wrench or a key left attached to a rotating part of the power tool may result in personal injury.
  - **Do not overreach. Keep proper footing and balance at all times.** This enables better control of the power tool in unexpected situations.
  - **Dress properly. Do not wear loose clothing or jewellery. Keep your hair, clothing and gloves away from moving parts.** Loose clothes, jewellery or long hair can be caught in moving parts.
  - **If devices are provided for the connection of dust extraction and collection facilities, ensure these are connected and properly used.** Use of dust collection can reduce dust-related hazards.
- #### 4) POWER TOOL USE AND CARE
- **Do not force the power tool. Use the correct power tool for your application.** The correct power tool will do the job better and safer at the rate for which it was designed.
  - **Do not use the power tool if the switch does not turn it on and off.** Any power tool that cannot be controlled with the switch is dangerous and must be repaired.
  - **Disconnect the plug from the power source and/or the battery pack from the power tool before making any adjustments, changing accessories, or storing power tools.** Such preventive safety measures reduce the risk of starting the power tool accidentally.
  - **Store idle power tools out of the reach of children and do not allow persons unfamiliar with the power tool or these instructions to operate the power tool.** Power tools are dangerous in the hands of untrained users.
  - **Maintain power tools. Check for misalignment or binding of moving parts, breakage of parts and any other condition that may affect the power tool's operation. If damaged, have the power tool repaired before use.** Many accidents are caused by poorly maintained power tools.
  - **Keep cutting tools sharp and clean.** Properly maintained cutting tools with sharp cutting edges are less likely to bind and are easier to control.
  - **Use the power tool, accessories and tool bits etc. in accordance with these instructions, taking into account the working conditions and the work to be performed.** Use of the power tool for operations different from the intended could result in a hazardous situation.

### 3. SAFETY ADVICE

- #### 5) SERVICE
- **Have your power tool serviced by a qualified repair person using only identical replacement parts.** This will ensure that the safety of the power tool is maintained.
- #### 6) SPECIFIC SAFETY ADVICE FOR ELECTRIC ROUTER
- **Hold power tool by insulated gripping surfaces, because the cutter may contact its own cord.** Cutting a "live" wire make exposed metal parts of the power tool "live" and shock the operator.
  - **Use clamps or another practical way to secure and support the workpiece to a stable platform.** Holding the work by your hand or against the body leaves it unstable and may lead to loss of control.
  - Wear safety glasses, respirator, and hearing protection when operating a trimmer.
  - Unplug the router and make sure the switch is OFF (0 position) before inserting or removing bit, making adjustments, or performing maintenance or service. DO NOT make adjustments while the trimmer is running.
  - Inspect router bits before use. DO NOT use router bits that have been dropped, cracked, or damaged. The router bit may shatter, causing serious injury.
  - Insert the bit all the way into the collet and tighten firmly. If the bit is not inserted far enough, the bit may slip or come out, causing injury. The bit chosen should comply with the rotation speed of this trimmer.
  - Choose the proper bit based on the size of the collet chuck.
  - Make sure the collet wrenches are removed from the router before turning it ON.
  - Check the workpiece for nails or other foreign objects which may cause the router to kickback or damage the bit, possibly causing injury to the operator.
  - Secure the workpiece with clamps or attach it to an immovable object. DO NOT hold the workpiece in your hand or across your legs.
  - Hold the router with both hands to control torque twist and kickback. Keep hands away from the spinning bit. Make sure the bit has come to a complete stop before setting the router down.
  - Always route with the base flat upon the workpiece. DO NOT start router with the bit in contact with the workpiece.
  - Always feed the router against the cutter rotation. DO NOT start router at a corner. Starting at a corner may cause the router to grab, damaging the workpiece, and possibly causing personal injury.
  - The bit is sharp and will be hot after use. Use gloves when removing.
  - DO NOT use the router in an area that may contain hidden live wires. Disconnect all power leading to the work area.
  - If the router is damaged, or not working correctly, repair it before use.

### PARTS AND ACCESSORIES

#### ① Router-front side

1. Power cable with power plug
2. Handle
3. Rotation direction arrow
4. Guiding rod set screw
5. Ground plate
6. Ground plate groove
7. Adjustable stopper
8. Measuring stick set screw
9. Measuring stick with scale
10. Measuring stick fine adjuster

#### Detail graphic A

a1 Read-off point of measuring stick

#### Detail graphic B

b1 Metal point of measuring stick

#### Detail graphic C

c1 Guiding rod of parallel stopper

c2 Parallel stopper

#### Detail graphic D

d1 Mould cutter

d2 Collet

#### ② Router - back side

11. Rotation regulator
12. Height adjuster
13. Vacuum nozzle
14. Spindle screw
15. Extendable rod
16. Turn-on safety latch
17. On / off switch
18. Long bolt of ground plate
19. Copy slice cutter

#### Detail graphic E

e1 Spindle adjuster

e2 Spanner

#### Detail graphic F

f1 Template

f2 Copy tool

#### Detail graphic G

Floor view of the ground plate

#### Detail graphic H

Schema of the correct router direction

### SETTING UP THE ROUTER



#### Danger of injury! Before all adjustments and calibrations:

- Turn the machine off.
- Pull out the power plug.
- Wait until the machine is still.

**ADVICE:** Pay attention to the electric capacity! The voltage of the power source must agree with the specifications on the label. Machines labeled with 230 V can also be operated with 220 V.

#### VACUUMING

The inside diameter of the vacuum nozzle (13) is 40 mm. Insert an appropriate-sized tube into the vacuum nozzle.

Connect your router with the vacuum nozzle to a household vacuum cleaner or to a dust-extracting apparatus. Through this, you attain an optimal vacuuming on your work piece. The advantage: you improve your machine as well as your own health. In addition, your work space stays cleaner and safer.

While working, existing dust can be dangerous (Safety advice).

The vacuum cleaner used for the vacuuming must be intended for the material being worked on. Remember that health-hazardous materials, such as asbestos, may not be used. In the industrial use of the machine, special regulations apply for vacuuming mechanisms. Check the requirements with your professional association if necessary.

**NOTE:** Wood dust and wood shavings in the air can cause allergies and cancer. Studies have proven that workers who come in contact with oak and beech wood dust contract cancer more frequently than other workers. Conduct wood-working preferably outdoors or use a shavings vacuum, to minimize your health risk. According to studies, skin contact with wood dust does not cause cancer.

### SETTING UP THE ROUTER

#### MOULD CUTTER SELECTON

In this router, the mould cutter can be replaced by the following mould cutters: Ø 6mm, Ø 8 mm

Most mould cutters can be found in these sizes. You can also use mould cutters out of the following material, among other things:

HSS: Softwoods designated for working

TCT: Hardwoods, flake board, plastic, and aluminum designated for working

#### MOULD CUTTER ADJUSTMENT

- Pull out the power plug (1) and allow the mould cutter to completely stop spinning.
- Clean the screw, collet, and shaft of the mould cutter before operation if necessary.
- Remove all packaging material completely from the mould cutter heads.
- Loosen the height adjuster (12) to adjust the router to the highest position. Next tighten the height adjuster again.
- Turn the router upside down.

**Danger of burning!** Due to friction, the mould cutter can become very hot during operation.

- Use a towel when changing a hot mould cutter.
- Wait a little while, until the mould cutter has cooled down.
- Press the spindle adjuster (e1); you must eventually turn the spindle screw a bit, so that the adjuster can engage.

Keep it pressed.

- With a wrench, loosen the spindle screw (14) and screw this, including the collet (d2), completely off.
- Choose the appropriate collet (d2) for the selected mould cutter. The stem diameter of the mould cutter must agree with that of the collet. Insert the shaft of the mould cutter (d1) into the collet (d2).
- Set the mould cutter with the collet (d2) and screw (14) in the mould cutter spindle, and screw it with your hand.
- The mould cutter must protrude at least 3 mm out of the screw!

## 5. SETTING UP THE ROUTER

- Press the spindle adjuster (e1) again and pull the spindle screw tight with a wrench.
- Be aware that the mould cutter depth must be re-adjusted.

### ROTATION SPEED ADJUSTMENT

**Comment:** Turn the machine off before changing the rotation speed.

Check the positioning and rotation of the mould cutter before operating the machine!

Select the rotation speed with the switch for the rotation speed regulator (11).

- You can select 7 different switch positions: From switch position „ 1 “ (11000 RPM) to switch position „ 7 “ (30000RPM). The rotation speed can be set according to the desired speed from a level of 1 through 5. The required rotation speed depends on the working material and the type of work. The rotation speed can best be determined by a test run.
- After working with low rotation speed for a long time, allow the machine to cool down for about 2 minutes with it running idle at maximum rotation speed.

### ADJUSTMENT OF CUTTING DEPTH

- Lower down supporting knee until the tool will touch the surface of the machined piece, fix it by lever (12), and read the position on vertical ruler as initial (zero) position.
- Adjust the first depth level by guide (9), pointing to the highest level of the three-position support (7), reading the size on vertical ruler and fix the supporting knee with lever (12).
- Fix depth guide (2) by the wing screw. (Adjust in advance the three levels of the positioning support to the desired levels.)
- The second and the third level of cutting depth can be achieved by only rotating the disk of the three-position support (7) and moving the support knee until depth guide (9) will touch the corresponding level of the support. Check the sizes on the vertical ruler or by a reference part (test part).

### CALIBRATION CALCULATION

You know the exact cutting depth in centimeters and would like to change it.

You would like to drill exactly a 2 mm deep screw into a wooden board, for example.

- Insert the appropriate mould cutter.
- Adjust the depth stopper (7), so that the height measuring stick shows the lowest level when brought down.
- Loosen the set screw (8) of the depth measuring stick.
- Loosen the height adjuster (12) and press the drilling tool with the handle (2) far under, so that it touches the work piece.
- Secure this adjustment by tightening the height adjuster.
- Make sure that the depth measuring stick (9) with the metal point (b1) is sitting on the depth stopper.
- Now the starting position can be read from the read-off point on the depth measuring scale (a1).
- The depth measuring stick (9) can be adjusted, so that the desired centimeter number is displayed on the scale. Turn the adjuster of the depth measuring stick

## 6. OPERATION

(10) in the desired direction.

- The desired drilling depth can simply be subtracted from the displayed centimeter number. (Example : 4 cm is displayed on the scale, and you want to drill 2 mm. So the scale should be adjusted to display 3.8 cm.) Lift the depth measuring stick up, so that the read-off point on the scale (a1) shows the corresponding value. (3.8 cm in the example)
- Now adjust the depth measuring stick (9) with the new calibration. The depth measuring stick can be locked in position by tightening the set screw (8). You now have set the desired drilling depth.
- Now loosen the height adjuster (12) to get the mould cutter ready for operation.

## OPERATION

### PROTECTIVE CLOTHING

- If possible, wear designated gloves for protection from splinters and shavings.
- While working, wear designated protective goggles. Flying shavings can cause injury.
- Wear hearing protection for protection against continuous noise in the work place.
- Wear a designated dust mask for protection against airborne dust.

### DRILLING DIRECTION

The drilling must always turn in the opposite running direction of the drill (counter-rotation). The rotation direction is indicated by the arrow (3) on the front of the machine.

See illustration (H).



**Danger of accident! While drilling in normal rotational direction, the router could be torn away from your hand.**

- Pay attention to the rotation direction of the driller head!
- Only drill in counter-rotation!

### TURNING ON/OFF

- To operate the machine, press and hold the safety latch (16). Then press and hold the big on/off switch (17). The drill is now turned on.
- As soon as you let go of the on/off switch (17), the drill will turn off. In the case that you let go of the safety latch (16), the on/off switch (17) will be locked again.

### MOULD CUTTING

- Loosen the height adjuster (12) and set the mould cutter on the work piece.
- While operating, press the mould cutter until the height stopper (7) stops.
- Continue pressing the mould cutter and tighten the height adjuster (12) again. Now push the mould cutter as desired by grasping both router handles.
- To turn the machine off, simply let go of both orange buttons (16,17) on the right handle.
- Hold the router firmly until the motor has stopped.

### FREEHAND MOULD CUTTING

With freehand mould cutting, you can cut creatively, like drawing something by hand. The router can be used without a guiding rod for this purpose. With freehand mould cutting, it is safest when the router is laid flat.

## 7. CARE AND MAINTENANCE

### PARALLEL MOULD CUTTING

Use the parallel stopper when a screw should run parallel to the edge of the work piece.

#### ASSEMBLY OF THE PARALLEL STOPPER (III.C)

- Take the screws and washers out of the guiding rods (c1).
- Place the heads of the guiding rods in the corresponding holes of the parallel stopper (c2).
- Mount the parallel stopper (c2) with the screws and washers onto the guiding rods (c1).
- Insert the guiding rods (c1) into the groove (6) of the ground plate (5).
- Set the desired distance between the parallel stopper and mould cutter.
- Tighten the guiding rods (c1) with the set screws (4) on the ground plate (5).
- Set the parallel stopper (c2) on the edge of the work piece.
- Now cut by taking the router parallel along the work piece.

#### MOULD CUTTING COPIES

Creating several objects of the same shape can be done with the copy slice cutter (19).

- Remove both long screws (18) from the underside of the ground plate (5).
- Now fasten the copy slice cutter (19) with the two long screws (18) on the underside of the ground plate.
- The protrusion in the middle of the copy slice cutter must jut out to the outside (ill. G).
- Affix two work pieces to your workbench (ill. F).  
Upper work piece → Template (f1) (An already finished work piece)  
Lower work piece → Copy (f2) (The work piece to be worked on)
- Set the mould cutting depth (see Mould cutter depth adjustment) and eventually the rotation speed (see Rotation speed adjustment).
- Take the protrusion of the copy slice cutter along the edge of the template (ill. F).
- In this way, the contour of the template will be copied onto the work piece.

## CARE AND MAINTENANCE



### Danger of injury! Before all care and maintenance work:

- Turn the machine off.
- Pull out the power plug.
- Wait until the machine is still.

The machine is maintenance-free. Consult a specialist for any service work not mentioned in this manual.

- Keep the machine and the air vent always clean.
- Make sure that no water reaches the inside of the machine.

### CLEANING

- Clean the machine regularly, best if after every use. Remove all dust, shavings, wood splinters, etc.

## 8. TECHNICAL DATA AND CE DECLARATION OF CONFORMITY

- Clean the machine with a moist cloth. Do not use any cleaning agents or solvents; these can corrode the plastic on the machine.

- Grease the extendable rods (15) from time to time with machine oil.

### REPLACEMENT PARTS

**Danger of accident!** Parts which were not reviewed and approved by the manufacturer can damage the machine and can lead to serious injuries.

- Only use original parts as replacement parts, especially with safety mechanisms and cutting tools.

### ENVIRONMENTAL PROTECTION AND WASTE DISPOSAL

Packaging materials are raw materials and can be re-used. Separate the different packaging materials and take them to a designated waste disposal facility.

Old machines do not belong in your household garbage! Dispose of old machines appropriately! We are all responsible for the environment. The local authorities can inform you of collection locations and working hours.

### TECHNICAL DATA

Power voltage	230V ~50Hz	Plunge stroke	0-55 mm
Rated input	1200W	Weight	3,4 kg
No-load speed	11000-30000/min	Protection class	CLASS II
Collet size	6/8 mm		

### Noise and vibration information (EN 60745):

A-weighted sound pressure level  $L_{pA} = 86$  dB(A), Uncertainty  $K_{pA} = 3.0$  dB

A-weighted sound power level  $L_{WA} = 97$  dB(A), Uncertainty  $K_{WA} = 3.0$  dB

**Vibration emission** Total vibration values determined according to EN 60745

Vibration emission value  $a_h = 6,23$  m/s<sup>2</sup>, Uncertainty  $K = 1,5$  m/s<sup>2</sup>

### ACCESSORIES

Router, parallel guide fence, dust extraction adapter, spanner, template guide, collet 6 mm., centering pin, manual, packing.

### CE DECLARATION OF CONFORMITY

We STATUS ITALIA S.R.L. as the responsible manufacturer declare that the following STATUS machine(s): Router RH1200 are of series production and conforms to the following European Directives: 2014/30/EU, 2006/42/EC. And are manufactured in accordance with the following standards or standardised documents: EN 60745-1:2009+A11, EN 60745-2-17:2010, EN 55014-2:2015 EN 55014-1:2006+A1+A2, EN 61000-3-2:2014, EN 61000-3-3:2013.

The technical documentation kept by the manufacturer: STATUS ITALIA S.R.L., via Aldo Moro, 14/A, 36060 - Pianezze (VI), ITALY

Caron Giacinto  
Director  
STATUS ITALIA S.R.L.

### **ALLGEMEINE SICHERHEITSHINWEISE**

**WARNUNG:** Lesen Sie alle Sicherheitshinweise und Anweisungen.

Versäumnisse bei der Einhaltung der Sicherheitshinweise und Anweisungen können elektrischen Schlag, Brand und/oder schwere Verletzungen verursachen.

**Bewahren Sie alle Sicherheitshinweise und Anweisungen für die Zukunft auf.**

Der in den Sicherheitshinweisen verwendete Begriff „Elektrowerkzeug“ bezieht sich auf netzbetriebene Elektrowerkzeuge (mit Netzkabel) und auf akkubetriebene Elektrowerkzeuge (ohne Netzkabel).

#### **ARBEITSPLATZSICHERHEIT**

• **Halten Sie Ihren Arbeitsbereich sauber und gut beleuchtet.** Unordnung oder unbeleuchtete Arbeitsbereiche können zu Unfällen führen.

• **Arbeiten Sie mit dem Elektrowerkzeug nicht in explosionsgefährdeter Umgebung, in der sich brennbare Flüssigkeiten, Gase oder Stäube befinden.**

Elektrowerkzeuge erzeugen Funken, die den Staub oder die Dämpfe entzünden können.

• **Halten Sie Kinder und andere Personen während der Benutzung des Elektrowerkzeugs fern.** Bei Ablenkung können Sie die Kontrolle über das Gerät verlieren.

#### **ELEKTRISCHE SICHERHEIT**

• **Der Anschlussstecker des Elektrowerkzeuges muss in die Steckdose passen.**

Der Stecker darf in keiner Weise verändert werden. Verwenden Sie keine Adapterstecker gemeinsam mit schutzgeerdeten Elektrowerkzeugen.

Unveränderte Stecker und passende Steckdosen verringern das Risiko eines elektrischen Schlages.

• **Vermeiden Sie Körperkontakt mit geerdeten Oberflächen wie von Rohren, Heizungen, Herden und Kühlschränken.** Es besteht ein erhöhtes Risiko durch elektrischen Schlag, wenn Ihr Körper geerdet ist.

• **Halten Sie Elektrowerkzeuge von Regen oder Nässe fern.** Das Eindringen von Wasser in ein Elektrowerkzeug erhöht das Risiko eines elektrischen Schlages.

• **Zweckentfremden Sie das Kabel nicht, um das Elektrowerkzeug zu tragen, aufzuhängen oder um den Stecker aus der Steckdose zu ziehen.** Halten Sie das Kabel fern von Hitze, Öl, scharfen Kanten oder sich bewegenden Geräteteilen. Beschädigte oder verwickelte Kabel erhöhen das Risiko eines elektrischen Schlages.

• **Wenn Sie mit einem Elektrowerkzeug im freien arbeiten, verwenden Sie nur Verlängerungskabel, die auch für den Außenbereich geeignet sind.**

Die Anwendung eines für den Außenbereich geeigneten Verlängerungskabels verringert das Risiko eines elektrischen Schlages.

• **Wenn der Betrieb des Elektrowerkzeuges in feuchter Umgebung nicht vermeidbar ist, verwenden Sie einen fehlerstromschutzschalter.** Der Einsatz eines Fehlerstromschutzschalters vermindert das Risiko eines elektrischen Schlages.

#### **SICHERHEIT VON PERSONEN**

• **Seien Sie aufmerksam, achten Sie darauf, was Sie tun, und gehen Sie mit Vernunft an die Arbeit mit einem Elektrowerkzeug.**

Benutzen Sie kein Elektrowerkzeug, wenn Sie müde sind oder unter dem Einfluss von Drogen, Alkohol oder Medikamenten stehen. Ein Moment der Unachtsamkeit beim Gebrauch des Elektrowerkzeuges kann zu ernsthaften Verletzungen führen.

• **Tragen Sie persönliche Schutzausrüstung und immer eine Schutzbrille.**

Das Tragen persönlicher Schutzausrüstung, wie Staubmaske, rutschfeste Sicherheitsschuhe, Schutzhelm oder Gehörschutz, je nach Art und Einsatz des Elektrowerkzeuges, verringert das Risiko von Verletzungen.

• **Vermeiden Sie eine unbeabsichtigte Inbetriebnahme. Vergewissern Sie sich, dass das Elektrowerkzeug ausgeschaltet ist, bevor Sie es an die Stromversorgung und/oder den Akku anschließen, es aufnehmen oder tragen.** Wenn Sie beim Tragen des Elektrowerkzeuges den Finger am Schalter haben oder das Gerät eingeschaltet an die Stromversorgung anschließen, kann dies zu Unfällen führen.

• **Entfernen Sie Einstellwerkzeuge oder Schraubenschlüssel, bevor Sie das Elektrowerkzeug einschalten.** Ein Werkzeug oder Schlüssel, der sich in einem drehenden Geräteteil befindet, kann zu Verletzungen führen.

• **Vermeiden Sie eine abnormale Körperhaltung. Sorgen Sie für einen sicheren Stand und halten Sie jederzeit das Gleichgewicht.** Dadurch können Sie das Elektrowerkzeug in unerwarteten Situationen besser kontrollieren.

• **Tragen Sie geeignete Kleidung.** Tragen Sie keine weite Kleidung oder Schmuck. Halten Sie Haare, Kleidung und Handschuhe fern von sich bewegenden Teilen. Lockere Kleidung, Schmuck oder lange Haare können von sich bewegenden Teilen erfasst werden.

• **Wenn Staubabsaug- und -auffangeinrichtungen montiert werden können, vergewissern Sie sich, dass diese angeschlossen sind und richtig verwendet werden.** Verwendung einer Staubabsaugung kann Gefährdungen durch Staub verringern.

#### **VERWENDUNG UND BEHANDLUNG DES ELEKTROWERKZEUGES**

• **Überlasten Sie das Gerät nicht. Verwenden Sie für Ihre Arbeit das dafür bestimmte Elektrowerkzeug.** Mit dem passenden Elektrowerkzeug arbeiten Sie besser und sicherer im angegebenen Leistungsbereich.

• **Benutzen Sie kein Elektrowerkzeug, dessen Schalter defekt ist.** Ein Elektrowerkzeug, das sich nicht mehr ein- oder ausschalten lässt, ist gefährlich und muss repariert werden.

• **Ziehen Sie den Stecker aus der Steckdose und/oder entfernen Sie den Akku, bevor Sie Geräteeinstellungen vornehmen, Zubehörteile wechseln oder das Gerät weglegen.** Diese Vorsichtsmaßnahme verhindert den unbeabsichtigten Start des Elektrowerkzeuges.

• **Bewahren Sie unbenutzte Elektrowerkzeuge außerhalb der Reichweite von Kindern auf.** Lassen Sie Personen das Gerät nicht benutzen, die mit diesem nicht vertraut sind oder diese Anweisungen nicht gelesen haben. Elektrowerkzeuge sind gefährlich, wenn Sie von unerfahrenen Personen benutzt werden.



## 2. SICHERHEITSHINWEISE FÜR FRÄSEN

- **Pflegen Sie Elektrowerkzeuge mit Sorgfalt. Kontrollieren Sie, ob bewegliche Teile einwandfrei funktionieren und nicht klemmen, ob Teile gebrochen oder so beschädigt sind, dass die Funktion des Elektrowerkzeuges beeinträchtigt ist.** Lassen Sie beschädigte Teile vor dem Einsatz des Gerätes reparieren. Viele Unfälle haben ihre Ursache in schlecht gewarteten Elektrowerkzeugen.
- **Halten Sie Schneidwerkzeuge scharf und sauber.** Sorgfältig gepflegte Schneidwerkzeuge mit scharfen Schneidkanten verklemmen sich weniger und sind leichter zu führen.
- **Verwenden Sie Elektrowerkzeug, Zubehör, Einsatzwerkzeuge usw. entsprechend diesen Anweisungen.** Berücksichtigen Sie dabei die Arbeitsbedingungen und die auszuführende Tätigkeit. Der Gebrauch von Elektrowerkzeugen für andere als die vorgesehenen Anwendungen kann zu gefährlichen Situationen führen.

### SERVICE

- **Lassen Sie Ihr Elektrowerkzeug nur von qualifiziertem Fachpersonal und nur mit Original-Ersatzteilen reparieren.** Damit wird sichergestellt, dass die Sicherheit des Elektrowerkzeuges erhalten bleibt.

### SICHERHEITSHINWEISE FÜR FRÄSEN



**Tragen Sie Gehörschutz bei der Benutzung von Fräsen.**  
Die Einwirkung von Lärm kann Gehörverlust bewirken.

- **Während der Arbeit das Gerät immer mit beiden Händen halten.** Der Verlust der Kontrolle über die Maschine kann zu Verletzungen führen



**Verwenden Sie während der Arbeit geeignete Augenschutzmittel um sich vor fliegenden Teilchen zu schützen.**  
Tragen Sie eine Schutzbrille.



**Treffen Sie Schutzmaßnahmen gegen das Einatmen von Staub.**  
Manche Werkstoffe können toxische Bestandteile enthalten.  
Tragen Sie eine Staubschutzmaske.

- **Halten Sie das Gerät nur an den isolierten Griffflächen, wenn Sie Arbeiten ausführen, bei denen das Einsatzwerkzeug verborgene Stromleitungen oder das eigene Netzkabel treffen kann.** Der Kontakt mit einer spannungsführenden Leitung kann auch metallene Geräteteile unter Spannung setzen und zu einem elektrischen Schlag führen.
- Bearbeiten Sie keine asbesthaltigen Materialien. Asbest gilt als krebserregend.
- Es wird empfohlen, während der Arbeit mit der Stichsäge Schutzhandschuhe tragen.



**WARNUNG:** Bevor Sie das Elektrowerkzeug ans Stromnetz anschließen, stellen Sie sicher, dass die Spannung der Spannung, angegeben auf dem Geräteschild, entspricht. Eine Spannung, die höher als die Nennspannung ist, kann zu ernstesten Verletzungen führen, sowie auch Schäden am Elektrowerkzeug verursachen.

## 2. SICHERHEITSHINWEISE FÜR FRÄSEN

- Falls Sie nicht sicher sind, wie hoch die Netzspannung ist, schalten Sie das Elektrowerkzeug nicht ein.
- Falls die Spannung niedriger als die Nennspannung ist, wird der Motor beschädigt.
- Um eine eventuelle Überhitzung zu verhindern, rollen Sie das Kabel von einer Kabeltrommel immer bis zum Ende ab.
- Wenn Sie ein Verlängerungskabel benutzen müssen, versichern Sie sich zuerst, dass sein Querschnitt dem Nennstrom des benutzten Elektrowerkzeuges entspricht, so wie auch, dass es unbeschädigt ist.



**WARNUNG:** Schalten Sie vor jeder Einstellung, Bedienung oder Wartung, so wie auch bei einem Stromausfall immer das Elektrowerkzeug aus und ziehen Sie den Stecker aus der Steckdose.

- Entfernen Sie vor Beginn der Arbeit alle Nägel, Schrauben und andere Körper von dem zu bearbeitenden Werkstück. Beim Fräsen im Nagel oder anderem Metallgegenstand können Sie den Fräser oder das Elektrogerät beschädigen, was Voraussetzung für Betriebsunfall ist.
- Verwenden Sie immer eine Klemme oder einen Schraubstock, um das zu bearbeitende Werkstück zu fixieren.
- Schalten Sie die Fräse nicht unter Last ein. Bevor Sie das Gerät anschalten, stellen Sie sicher, dass der Fräser die zu bearbeitende Oberfläche nicht berührt.
- Führen Sie die Fräse immer bei Verwendung der beiden Handgriffe, indem Sie sicherstellen, dass Sie das Gerät festhalten, bevor Sie mit der Operation beginnen.
- Schalten Sie das Gerät immer aus und warten Sie bis zum endgültigen Anhalten des Fräasers, bevor Sie das Gerät von dem Werkstück entfernen.
- Berühren Sie den Fräser nicht sofort nach Beendigung der Arbeit mit ihm. Der Fräser kann sehr heiß sein und Ihnen eine Hautverbrennung zufügen.
- Das Vorhandensein von Lappen, Tüchern, Werg, Bindfaden, Leitungen u.a. im Arbeitsbereich ist untersagt.
- Halten Sie das Netzkabel außerhalb des Arbeitsbereichs der Maschine.
- Sie dürfen mit dem Elektrowerkzeug nicht arbeiten, wenn das Netzkabel beschädigt ist. Berühren Sie das beschädigte Netzkabel nicht und ziehen Sie den Stecker aus der Steckdose heraus, wenn das Netzkabel während der Arbeit beschädigt wird. Ein beschädigtes Netzkabel erhöht das Risiko für einen Stromschlag.
- Verwenden Sie keine stumpfen oder beschädigten Fräser. Stumpfe oder beschädigte Fräser verursachen eine erhöhte Reibung, können eingeklemmt werden und führen zu Unwucht.
- Das Elektrowerkzeug soll nur bestimmungsgemäß verwendet werden. Jeder anderer Gebrauch, anders als der Gebrauch, beschrieben in dieser Instruktion, gilt als nicht bestimmungsgemäß. Die Verantwortung für jede Schädigung oder Verletzung, verursacht durch falschen Gebrauch, trägt der Betreiber und nicht der Hersteller.
- Um dieses Elektrowerkzeug richtig zu betreiben, sollten Sie die Sicherheitsregeln, die allgemeinen Instruktionen und die Betriebsanweisungen, die hier angegeben

sind, beachten. Alle Betreiber sollten sich mit dieser Betriebsanweisung bekannt machen und über die potenziellen Risiken bei der Arbeit mit dem Elektrowerkzeug informiert sein. Kinder und körperlich schwache Personen dürfen das Elektrowerkzeug nicht benutzen. Kinder sollten ständig kontrolliert werden, falls sie sich in der Nähe des Ortes, wo mit dem Elektrowerkzeug gearbeitet wird, befinden. Unbedingt sollten auch präventive Sicherheitsmassnahmen getroffen werden. Das gleiche gilt auch für die Einhaltung der Grundregeln für Berufsgesundheit und Sicherheit. Der Hersteller übernimmt keine Verantwortung für von dem Betreiber vorgenommenen Änderungen des Elektrowerkzeuges oder für Schaden, verursacht durch solche Änderungen.

- Der Hersteller trägt keine Verantwortung für die vom Verbraucher am Elektrowerkzeug vorgenommenen Änderungen oder für Schäden, die von solchen Änderungen verursacht worden sind.
- Das Elektrowerkzeug darf nicht im Freien verwendet werden wenn es regnet. Das Elektrowerkzeug darf nicht verwendet werden auch in feuchter Umgebung (wenn es geregnet hat) oder in der Nähe von leicht entzündbaren Flüssigkeiten oder Gasen. Der Arbeitsplatz muß gut beleuchtet sein.

#### **ARBEITSANWEISUNGEN**

##### **ELEMENTE DES ELEKTROWERKZEUGS**

###### **1 FRÄSE – vorderansicht**

1. Netzkabel
2. Handgriff
3. Richtungsanzeiger
4. Fixierschraube Parallelanschlag
5. Grundplatte
6. Nut für Parallelanschlag
7. 3-stufige Positionsstutze
8. Drehknopf für Feineinstellung Frästiefe
9. Tiefenanschlag
10. Mikrometrischer Frästiefenanschlag

###### **Abbildung A**

**a1** Markierung der Bewegung des Herrschers Tiefenbegrenzung

###### **Abbildung B**

**b1** Tiefenanschlag

###### **Abbildung C**

**c1** Stangen des Parallelanschlages

**c2** Parallelfanschlag

###### **Abbildung D**

**d1** Fräser

**d2** Spannzange

###### **2 FRÄSE – hintere ansicht**

11. Stellrad Drehzahlvorwahl
12. Feststeller für die senkrechte Stellung der Konsole
13. Absaugrohr
14. Überwurfmutter mit Spannzange
15. Asta estensibile
15. Führungssäule
16. Feststellknopf Ein-/Ausschalter
17. Ein-/Ausschalter
18. Kopierhülenschrauben
19. Kopierhülse

###### **Abbildung E**

**e1** Spindel - Arretiertaste

**e2** Gabelschlüssel

###### **Abbildung F**

**f1** Schablone

**f2** Werkstück

###### **Abbildung G**

Grundplatte mit Kopierhülse

###### **Abbildung H**

Schema für die korrekte Bewegung des Fräasers

Dieses Elektrogerät kann mit einphasiger Wechselspannung gespeist werden. Es besitzt eine doppelte Isolierung nach EN 60745 und IEC 60745 und kann an Steckdosen ohne Schutzklemmen angeschlossen werden. Die Funkstörungen entsprechen der EMV-Richtlinie 2004/108/EC zur Elektromagnetischen Verträglichkeit.

Die Fräsen sind Handelektrogeräte, vorgesehen für Fräsen von Kanälen, Rundungen, Fasken, Profilkanten und Öffnungen im Holz, Holzplatten und Kunststoff mittels geeigneten Fräsern.

#### **BEVOR SIE MIT DER ARBEIT BEGINNEN**

**WARNUNG:** Überprüfen Sie ob die Netzspannung der Spannung, angegeben auf dem Typenschild des Elektrogerätes entspricht.

- Überprüfen Sie die Stellung des Ein- und Ausschalters. Das Elektrogerät soll nur in ausgeschaltetem Zustand ans Netz angeschlossen und von ihm getrennt werden. Wenn Sie den Stecker in die Steckdose stecken, solange der Einschalter betätigt ist, wird das Elektrogerät gleich betätigt, was eine Voraussetzung für Unfälle ist.
  - Überzeugen Sie sich in der Ganzheit des Netzkabels und des Steckers. Falls das Netzkabel beschädigt ist, soll sein Austausch von dem Hersteller oder von Servicefachmann vorgenommen werden, um die Gefahren bei dem Austausch zu vermeiden.
  - Überprüfen Sie, ob der Schaltdurchmesser des Fräasers mit dem Durchmesser der Werkzeugaufnahme und mit der Drehzahl, zulässig für das verwendete Gerät übereinstimmt.
  - Stellen Sie sicher, dass der Fräser gut und fest in der Spannzange aufliegt. Die Oberfräse ist zum Einsatz von Fräser mit einem Schaftdurchmesser von 6 und 8 mm vorgesehen. Der max. Durchmesser des Arbeitsteils des Fräasers darf Ø30 mm nicht überschreiten. Die hohe Drehzahl erfordert Fräsen von hoher Qualität mit entsprechend hoher Lebensdauer. (z. B. Fräsen aus schnellschneidendem Stahl (HSS) oder besser Fräsen mit Schneideteilen aus hartlegierten Einsätze (HM)). Nur Werkzeuge (Fräser) verwenden, deren Schaftdurchmesser mit dem Durchmesser der Spannzange übereinstimmt, und die für die Drehgeschwindigkeit des Geräts geeignet sind.
- WERKZEUGSWECHSEL (Abb. E - D)**
- WARNUNG:** Überzeugen Sie sich immer vor Werkzeugswechsel, dass die Fräse ausgeschaltet und der Stecker aus der Steckdose gezogen ist.
1. Drücken Sie die Spindel – Arretiertaste (**e1**) und halten Sie sie gedrückt.
  2. Solange Sie die Spindel – Arretiertaste gedrückt halten, lösen Sie die Überwurfmutter (14) der Spannzange indem Sie sie mit dem Gabelschlüssel (**e2**) (in der Lieferung enthalten) drehen.
  3. Entfernen Sie die Überwurfmutter (14) und dann auch die Spannzange (**d1**).
  4. Setzen Sie die neue Zange ein, das ist manchmal einfacher, wenn die maximale Frästiefe eingestellt ist.
  5. Setzen Sie die Überwurfmutter ein und ziehen Sie sie mit der Hand fest.
  6. Setzen Sie den Fräser so ein, dass er bis zum Anschlag in die Spannzange einrastet.

### 3. ARBEITSANWEISUNGEN

7. Bei gedrückter und so gehaltener Spindel – Arretiertaste ziehen Sie die Überwurfmutter mit dem Gabelschlüssel fest.

**WARNUNG:** Ziehen Sie die Spannzange nicht fest, wenn sich in ihr kein Fräser befindet, andernfalls kann der Kernteil der Spannzange brechen.

**WARNUNG:** BEVOR Sie mit der Arbeit beginnen, stellen Sie sicher, dass der Fräser einwandfrei befestigt ist.

#### **DREHZAHLREGELUNG**

Das Stellrad für die Drehzahlregelung (11) befindet sich auf der Oberseite des Motorgehäuses.

1. Das Stellrad für die Drehzahlregelung (11) wird für die Vorwahl von geeigneter Geschwindigkeit bei der Bearbeitung verschiedener Werkstoffe verwendet.

Das Elektrogerät fräst schneller und gleichmäßiger bei unterschiedlichen Geschwindigkeiten für die verschiedenen Holzarten oder Kunststoff.

2. Die höhere Zahl "7" auf dem Stellrad entspricht einer höheren Geschwindigkeit (30000/min), kleinere Zahl "1" entspricht der niedrigeren Geschwindigkeit (11000/min).

3. Bestimmen Sie die optimale Geschwindigkeit, indem Sie Probefräsen eines unbrauchbaren Werkstoffstückes durchführen.

**HINWEIS:** Die Wahl von geeigneter Geschwindigkeit für die entsprechende Arbeit erhöht die Lebensdauer des Fräasers.

#### **EINSTELLEN DER FRÄSTIEFE (Abb. A - B)**

Die tragende Konsole herunterstellen bis das Werkzeug das Werkstück berührt, durch den Feststeller (12) arretieren und die Stellung an der senkrechten Skala als Nullstellung (Beginn) ablesen.

Die erste Tiefenstufe mit dem Anschlag (9), der gegen den höchsten Stand der Dreistufenpositionsstütze (7) gerichtet ist, einstellen, indem der Meßwert an der senkrechten Skala abgelesen wird und die tragende Konsole mit dem Feststeller (12) arretieren.

Den Anschlag (9) mit dem Flügel-bolzen (8) feststellen - (die drei Stufen der Dreistufen-positionsstütze vorgehend auf die gewünschten Niveaus einstellen).

Die zweite und dritte Stufe der Frästiefe wird nur erreicht, wenn die Scheibe der Dreistufenpositions-stütze (7) verdreht und die tragende Konsole bis zur Erreichung des entsprechenden Niveaus verschoben wird.

Kontrollieren Sie die Maße auf der senkrechten Skala oder mittels eines Prüf (Muster)-Körpers.

#### **BETRIEB MIT DEM PARALLELANSCHLAG (Abb. C)**

Der Parallelanschlag (c2) erhöht die Leistungsfähigkeit beim Fasken und Fräsen von Kanälen in einer geraden Linie.

1. Lösen Sie die Flügelschrauben (4) des Parallelanschlages.

2. Setzen Sie die Stangen des Parallelanschlages (c1) in die dafür vorgesehenen Öffnungen in der Grundplatte der Fräse (5), recht des Gerätes in Zuführrichtung ein. Das Hilft bei der Ausrichtung des Parallelanschlages mit der Seitenfläche des zu bearbeitenden Werkstückes.

### 3. ARBEITSANWEISUNGEN

4. Ziehen Sie die Flügelschrauben (4) des Parallelanschlages fest, um ihn zu fixieren.

**HINWEIS:** Falls der Abstand zwischen der seitlichen Fläche des zu bearbeitenden Werkstückes und die Frässtelle zu groß oder die seitliche Fläche des Werkstückes nicht gerade ist, sollen Sie an das Werkstück fest mittels Schraubstock eine gerade Latte befestigen, die Sie als Führer gegenüber der Grundplatte der Fräse verwenden können.

#### **FRÄSEN MIT KOPIERHÜLSE (Abb. F - G)**

Die Kopierhülse kann für mehrere verschiedene Operationen verwendet werden:

- für die Fertigung von Kopien eines Profils mit komplizierter Form.
- Bei kombinierter Verwendung mit Schablone – für die Fertigung von Dekorationselementen.
- Serienfertigung von Profilen.

Wenn Sie Ihre eigene Schablonen erstellen wollen ist das passende Werkstoff dafür das Hartholz, z.B. Sperrholz. Verwenden Sie Werkstoffe, die ein bißchen dicker als die Tiefe der Kopierhülse sind. Ziehen Sie die Dicke der Kopierhülse von der Dicke der Schablone ab, so dass das Werkstück bis zur erforderlichen Größe gefräst wird.

1. Um die Kopierhülse (19) zu befestigen, drehen Sie die Fräse nach oben mit der Grundplatte (5) und entfernen Sie die beide Befestigungsschrauben in der Mitte der Platte.

2. Setzen Sie die Kopierhülse in die Grundplatte der Fräse ein und befestigen Sie sie mit den Befestigungsschrauben (18) (im Lieferumfang enthalten).

**Abb. F:** f1 – Schablone; f2 – Werkstück; 19 – Kopierhülse.

#### **PROFILE AUSSCHNEIDEN**

Das Elektrogerät kann für das Ausschneiden von Profilen und Formen auf der frontalen und seitlichen Fläche eines Holzwerkstückes verwendet werden.

Das Elektrogerät kann mit vielen Fräsersätzen arbeiten, jeder davon für konkrete Profile und Formen vorgesehen. Machen Sie alle Einstellungen, die in den vorhergehenden Abschnitten beschrieben sind.

1. Den Fräser einsetzen und befestigen.
2. Die erforderliche Höhe einstellen.
3. Setzen Sie die Grundplatte der Fräse (5) auf das zu bearbeitende Werkstück, indem Sie sicherstellen, dass der Fräser den Werkstoff, der bearbeitet wird, nicht berührt.
4. Verbinden Sie die Fräse ans Netz.
5. Schalten Sie die Fräse ein. Stellen Sie sicher, dass Sie das Gerät fest mit beiden Handgriffen halten. Warten Sie ab, bis der Fräser die Grenzgeschwindigkeit erreicht.
6. Bewegen Sie den Fräsekörper nach unten und arretieren Sie in der entsprechenden Position für die erforderliche Frästiefe.
7. Führen Sie das Elektrogerät gleichmäßig über die Oberfläche des zu bearbeitenden Werkstückes, indem Sie den Grund horizontal ausgerichtet mit der Oberfläche des zu bearbeitenden Werkstoffes halten, bis Sie die Operation beenden.

### 3. ARBEITSANWEISUNGEN

8. Falls eine präzise Regelung der Frästiefe erforderlich ist, verwenden Sie dafür den mikrometrischen Regler (10), indem Sie seine Stellschraube drehen, um die Frästiefe zu reduzieren oder zu vergrößern. Eine Umdrehung der Schraube entspricht 1 mm.

#### EMPFEHLUNGEN BEI DER ARBEIT MIT DER FRÄSE

- Der Fräsvorgang muss stets gegen die Umlaufrichtung des Fräasers erfolgen
- Verschieben Sie die Fräse so, dass der Fräser in den Werkstoff schneidet und nicht in die entgegengesetzte Richtung.
- Bewegen Sie die Fräse gleichmäßig über die Oberfläche des Werkstückes, indem Sie die Grundplatte der Maschine horizontal ausgerichtet zu der zu bearbeitenden Fläche halten, bis Sie die Arbeit nicht beenden.
- Gewährleisten Sie einen ständigen Druck beim Schneiden, indem Sie aufpassen, die Maschine nicht zu überlasten und keine zu große Reduzierung der Drehzahl des Motors zu verursachen.
- Beim Bearbeiten einer seitlichen Fläche soll sich das zu bearbeitende Werkstück links der Fräse in Richtung der Zuführung befinden.
- Bei zu hartem Holz oder Werkstoff, der Schwierigkeiten bei der Bearbeitung verursacht, kann es erforderlich sein, mehr als ein Fräsen mit allmählicher Vergrößerung der Abmessungen bis zum Erreichen der erforderlichen Tiefe durchzuführen.
- Die zu schnelle Führung der Fräse kann die Qualität des Profils verschlechtern und den Fräser oder den Motor beschädigen.
- Die zu langsame Führung der Fräse kann den Schnitt verbrennen oder beschädigen.
- Die entsprechende Führungsgeschwindigkeit hängt von der Größe des Fräasers, dem zu bearbeitenden Werkstoff und der Frästiefe ab. Machen Sie zuerst paar Versuche mit einem unbrauchbaren Stück des Werkstoffes, um die geeignete Geschwindigkeit und die Abmessungen des Profils einzuschätzen.
- Schalten Sie die Maschine immer aus und warten Sie das endgültige Anhalten des Fräasers ab, bevor Sie die Fräse von dem zu bearbeitenden Werkstück entfernen.

**WARNUNG:** Führen Sie die Fräse, indem Sie sie fest mit beiden Händen halten. Falls möglich, befestigen Sie das Werkstück mit Haltern am Arbeitstisch.

**WARNUNG:** Wenn Sie die Fräse für Bearbeitung von flachen Platten wie z.B. Küchenplatten, verwenden, überzeugen Sie sich zuerst, dass sie die entsprechende Schablone und die richtige Kopierhülse verwenden. Die Verwendung des gerundeten Teiles des Fräsegrundes, gegen den Parallelanschlag für ihre Führung IST UNZULÄSSIG.

#### ZUBEHÖRTEILE, DIE MIT DIESEM ELEKTROGERÄT VERWENDET WERDEN KÖNNEN

- Fräswerkzeuge aus Hochleistungsschnellschnittstahl HSS – mit Durchmesser der Werkzeugaufnahme  $\varnothing 6$  mm. und  $\varnothing 8$  mm.
- Fräswerkzeuge mit Hartmetallschneiden HM – mit Durchmesser der Werkzeugaufnahme  $\varnothing 6$  mm. und  $\varnothing 8$  mm.

### 4. WARTUNG

### 5. TECHNISCHE ANGABEN

#### WARTUNG

**WARNUNG:** Vor allen Arbeiten am Gerät Netzstecker ziehen. Überprüfen Sie stets, ob die Schrauben des Körpers fest angezogen sind. Bei längerem Gebrauch können sich die Schrauben durch die Vibrationen lösen. Ölen Sie regelmäßig alle sich bewegende Teile.

#### BÜRSTENAUSTAUSCH

Wenn die Kohlebürsten abgenutzt sind, müssen beide Kohlebürsten in einer zuständigen Kundendienstwerkstatt für Garantie- und Reparaturleistungen der STATUS - Elektrowerkzeuge ausgewechselt werden.

#### REINIGUNG

Für den sicheren Betrieb halten Sie das Gerät und die Lüftungsschlitze sauber. Überprüfen Sie regelmäßig, ob im Lüftungsgitter in der Nähe des Motors oder um die Umschalter kein Staub oder keine fremde Körper eingedrungen sind. Verwenden Sie eine weiche Bürste für die Entfernung des Staubs. Um Ihre Augen zu schützen, tragen Sie während der Reinigung Schutzbrille. Falls der Fräsekörper gereinigt werden soll, wischen Sie ihn mit einem weichen feuchten Tuch. Sie können eine schwache Waschnittellösung verwenden.

**WARNUNG:** Die Verwendung von Alkohol, Benzin oder andere Lösungsmittel ist untersagt. Verwenden Sie nie fressende Mittel für die Reinigung der Kunststoffteile.

**WARNUNG:** Das Eindringen vom Wasser in die Maschine ist nicht zulässig.

**WICHTIG!** Um eine sichere Arbeit mit dem Elektrogerät und seine Zuverlässigkeit zu gewährleisten, sollen alle Reparatur-, Wartungs- und Einstellarbeiten (einschl. die Überprüfung und das Auswechsel der Bürsten) in den autorisierten STATUS – Servicestellen bei Verwendung von Originalersatzteile durchgeführt werden.

#### TECHNISCHE ANGABEN

Nennaufnahmeleistung	1200W
Leerlaufdrehzahl	11000-30000/min
Werkzeugaufnahme	6/8 mm
Senkrechthub (Frästiefe) - max.	0-55 mm
Gewicht (procedura EPTA 01/2014)	3,4 kg
Schutzklasse(EN 60745-1)	CLASS II

**ACCESSORI:** Parallelanschlag, Kopierhülse, Absaugadapter, Gabelschlüssel, Spannzange - 6 mm.

#### INFORMATION ÜBER LAUFGERÄUSCHE UND SCHWINGUNGEN

##### Geräuschemissionswerte (EN 60745)

A-abgewogener Schalldruckpegel  $L_{pA}$  - 86 dB(A)

Unbestimmtheit  $K_{pA}$  - 3.0 dB

A- abgewogener Schalldruckpegel  $L_{wA}$  - 97dB(A)

Unbestimmtheit  $K_{wA}$  - 3.0 dB

##### Schwingungsemissionswerte (EN 60745-1)

Messwert der geschaffenen Schwingungen  $a_h$  - 6,23 m/s<sup>2</sup>

Unbestimmtheit K - 1,5 m/s<sup>2</sup>

### KONFORMITÄTSERKLÄRUNG

Hiermit versichern wir unsere persönliche Haftung, dass dieses Erzeugnis allen einschlägigen Bestimmungen folgender Richtlinien und entsprechender harmonisierten Standards entspricht: 2014/30/EU, 2006/42/EC.

EN 60745-1:2009+A11, EN 60745-2-17:2010, EN 55014-2:2015

EN 55014-1:2006+A1+A2, EN 61000-3-2:2014, EN 61000-3-3:2013.

Die technischen Unterlagen werden bei STATUS ITALIA S.R.L.,  
via Aldo Moro, 14/A, 36060 - Pianezze (VI), ITALIA, aufbewahrt.



Caron Giacinto  
Direktor  
STATUS ITALIA S.R.L.

### AVVERTENZE DI SICUREZZA

**ATTENZIONE! Leggere tutte le istruzioni d'uso e le avvertenze di sicurezza. L'inosservanza delle istruzioni seguenti può causare folgorazioni, incendi e/o gravi danni a persone. Conservare con cura queste istruzioni.**

Il termine "utensile" in tutte le avvertenze successive si riferisce sia agli utensili collegati alla rete elettrica (con cavo di alimentazione) che agli utensili a batteria (senza cavo).

#### AREA DI LAVORO

- **Mantenere l'area di lavoro pulita e ben illuminata.** Le zone buie ed ingombre di oggetti favoriscono incidenti.
- **Non utilizzare l'utensile in presenza di liquidi infiammabili, gas o polvere.** Le scintille generate potrebbero infiammare polvere e/o vapore.
- **Tenere a distanza bambini e terzi durante il funzionamento.** Per una distrazione potreste perdere il controllo dell'utensile.

#### SICUREZZA ELETTRICA

- **La spina dell'utensile deve essere adatta alla presa utilizzata. Non modificare la spina in alcun modo. Non utilizzare adattatori con gli utensili collegati a terra.** L'impiego di una spina integra ed una presa adatta riduce i rischi di folgorazione.
- **Evitare di toccare con il corpo le superfici collegate a terra quali tubi, radiatori, forni e frigoriferi.** Il rischio di folgorazione aumenta se il corpo è collegato a terra.
- **Non esporre l'utensile alla pioggia e all'umidità.** La penetrazione d'acqua nell'utensile aumenta il rischio di folgorazione.
- **Non utilizzare il cavo per scopi diversi da quello previsto. Non utilizzare il cavo per trasportare o tirare l'utensile, oppure per staccare la spina dalla presa. Tenere il cavo lontano da fonti di calore, olio, parti appuntite o in movimento.** Cavi danneggiati o attorcigliati aumentano il rischio di folgorazione.
- **Se l'utensile viene utilizzato all'aperto, usare una prolunga adatta all'uso esterno.** L'impiego di una prolunga da esterno riduce il rischio di folgorazione.
- **Se il lavoro in un ambiente umido è strettamente necessario, utilizzare una presa protetta da dispositivo a corrente residua.** Ciò riduce i rischi di scosse.

#### SICUREZZA PERSONALE

- **L'uso di elettro utensili richiede attenzione e buon senso. Non utilizzare gli utensili se si è stanchi o sotto l'effetto di droghe, alcol o medicinali.** Una breve disattenzione può provocare gravi danni alle persone.
- **Munirsi di indumenti e dispositivi di protezione. Indossare sempre occhiali da lavoro.** L'uso di dispositivi di protezione tra cui mascherina antipolvere, scarpe antiscivolo, casco e protezioni per l'udito riduce il rischio di danni a persone.
- **Evitare l'accensione accidentale. Accertarsi che l'interruttore sia in posizione "OFF" prima di inserire la spina.** Se si trasportano gli utensili con il dito sull'interruttore o si inserisce la spina nella presa con l'interruttore in posizione "ON" aumenta il rischio di incidenti.

## 1. AVVERTENZE DI SICUREZZA

- **Togliere tutte le chiavi di regolazione prima di accendere l'utensile.** Una chiave lasciata inserita in una parte rotante di un utensile può provocare danni a persone.
- **Non utilizzare l'utensile in condizioni estreme. Mantenere sempre l'equilibrio ed i piedi ben appoggiati a terra.** Questo consente un maggior controllo dell'utensile in caso di imprevisti.
- **Indossare un abbigliamento adeguato. Non indossare abiti svolazzanti o gioielli. Tenere capelli, vestiti, e guanti lontani dalle parti in movimento.** Abiti svolazzanti, gioielli o capelli potrebbero impigliarsi nelle parti in movimento.
- **In presenza di apparecchiature per il collegamento a dispositivi di aspirazione e raccolta delle polveri, accertarsi che essi siano collegati ed utilizzarli correttamente.** L'uso di queste apparecchiature può ridurre i rischi causati dalla polvere.

### USO E MANUTENZIONE DELL'UTENSILE

- **Utilizzare l'utensile più adatto per il lavoro da svolgere.** L'impiego dell'utensile giusto migliora la qualità del lavoro e la sicurezza.
- **Non utilizzare l'utensile se non è possibile accenderlo e spegnerlo con l'apposito interruttore.** Gli utensili che non possono essere controllati con l'interruttore sono pericolosi e devono essere riparati.
- **Staccare la spina dall'alimentazione di corrente prima di eseguire regolazioni, cambiare accessori o riporre l'utensile.** Osservando queste precauzioni si riduce il rischio di accensione accidentale dell'utensile.
- **Riporre gli utensili non utilizzati fuori dalla portata dei bambini e non consentirne l'utilizzo a persone che non conoscono l'utensile o queste istruzioni.** Nelle mani di persone inesperte gli utensili possono diventare pericolosi.
- **Sottoporre l'utensile a manutenzione. Verificare il corretto allineamento di tutte le parti mobili, controllare che non siano grippate e che non vi siano rotture o altri guasti che potrebbero influire sul funzionamento dell'utensile.** Far riparare gli utensili danneggiati prima di riutilizzarli. Molti incidenti sono causati da utensili in pessime condizioni.
- **Tenere le punte e gli strumenti da taglio puliti ed affilati.** Se sottoposti ad una regolare manutenzione e pulizia consentono di lavorare in modo più preciso e sono maggiormente controllabili.
- **Utilizzare l'utensile, gli accessori, gli attrezzi etc. secondo quanto indicato in queste istruzioni nonché tenendo in considerazione le condizioni di lavoro e il lavoro da eseguire.** L'impiego di utensili per scopi diversi da quelli per cui sono stati progettati può dare origine a situazioni pericolose.

### MANUTENZIONE

- **Far riparare l'utensile da personale qualificato che utilizzi solo parti di ricambio originali.** In caso contrario la sicurezza dell'utensile potrebbe risultare compromessa.

## 2. ISTRUZIONI SUPPLEMENTARI DI SICUREZZA NEL LAVORO CON FRESATRICI

### ISTRUZIONI SUPPLEMENTARI DI SICUREZZA NEL LAVORO CON FRESATRICI



**Usare mezzi per protezione dell'udito nel lavoro con fresatrici.** Il rumore intenso durante il lavoro può causare lesioni all'udito.

- **Utilizzare sempre durante il lavoro entrambe le impugnature.** La perdita di controllo può causare un infortunio sul lavoro.



**Usare durante il lavoro mezzi per protezione della vista, per proteggersi da particelle volanti.** Indossare occhiali protettivi.



**Prendere precauzioni contro inalazione di polvere.** Alcuni materiali possono contenere ingredienti tossici. Indossare maschera antipolvere. Usare un dispositivo di spolverizzazione, se il suo attacco all'elettroscopio risulta possibile.

- **Utilizzare l'elettroscopio solo per superfici non destinate alle prese.** Se si svolge un'operazione nella quale l'accessorio di taglio può toccare un impianto elettrico nascosto o il proprio cordone, il contatto dell'accessorio di taglio con un filo sotto tensione metterà le parti metalliche aperte dell'elettroscopio sotto tensione, e l'operatore subirà scossa elettrica.
- Non lavorare materiali contenenti amianto. L'amianto è considerato come una sostanza cancerogena.
- È consigliato l'uso di guanti protettivi.



**AVVERTENZA:** Prima di collegare l'elettroscopio alla rete di alimentazione, accertarsi che la tensione di alimentazione corrisponda a quella riportata sulla targhetta dati tecnici dell'elettroscopio.

- Una sorgente di alimentazione dalla tensione superiore a quella indicata per l'elettroscopio, può causare sia una grave lesione di scossa elettrica all'operatore, sia un guasto all'elettroscopio.
- Se si ha qualsiasi esitazione, non innestare la spina dell'elettroscopio nella presa.
- L'uso di una sorgente di alimentazione con tensione inferiore a quella indicata sulla targhetta dati tecnici dell'elettroscopio, danneggerà il motore elettrico.
- Per ovviare all'eventuale surriscaldamento, svolgere sempre completamente il cavo di prolunga con rocchetto.
- Quando si deve usare una prolunga, accertarsi che la sua sezione corrisponda alla corrente nominale dell'elettroscopio usato, nonché dello stato di efficienza della prolunga.

## 2. ISTRUZIONI SUPPLEMENTARI DI SICUREZZA NEL LAVORO CON FRESATRICI



**AVVERTENZA:** Disinserire sempre l'elettrotensile e disinnestare la spina dalla presa prima di effettuare qualsiasi regolazione, aggiustaggio o manutenzione, e ad interruzione dell'alimentazione.

- Prima di cominciare il lavoro rimuovere dal pezzo da lavorare ogni chiodo, vite o altro corpo. L'urto contro un chiodo o un altro corpo metallico può danneggiare la fresa e l'elettrotensile, e quindi si potrebbe provocare un infortunio sul lavoro.
- Fissare il pezzo da lavorare in una morsa o in qualche altro modo conveniente.
- Non inserire la fresatrice sotto carico. Prima di accendere la macchina accertarsi che la fresa non tocchi la superficie lavorata.
- Guidare sempre la fresatrice usando ambedue le impugnature e accertarsi di tenere la macchina saldamente, prima di cominciare qualunque operazione.
- Spegnerne sempre l'elettrotensile e aspettare finché la rotazione della fresa si fermi definitivamente, prima di staccare la macchina dal pezzo da lavorare.
- Non toccare la fresa immediatamente dopo aver sospeso il lavoro con essa. La fresa potrebbe essere molto calda, e provocare ustioni alla pelle.
- Non è ammessa nel raggio dell'area di lavoro la presenza di stracci, panni, stoppa, spago, cordoni, ecc.
- Tenere il cordone d'alimentazione fuori della portata operativa della fresatrice.
- Non usare l'elettrotensile con cavo danneggiato. Non toccare il cavo danneggiato ed estrarre la spina dalla presa, se il cavo viene danneggiato durante il lavoro. I cavi danneggiati aumentano il rischio di scossa elettrica.
- Non usare frese usurate o danneggiate. Le frese usurate o danneggiate generano attrito elevato, possono incastrarsi e causare martellamento.
- Impiegare l'elettrotensile unicamente secondo la sua destinazione d'uso. Ogni altro impiego, che differisce da quello descritto in queste istruzioni, sarà considerato erraneo. La responsabilità per qualsiasi guasto o lesione provocati da impiego erraneo cadrà sull'utente, e non sul costruttore.
- Per sfruttare correttamente questo elettrotensile, si devono rispettare le regole di sicurezza, le istruzioni generali, e le istruzioni di funzionamento qui indicate. Tutti gli utenti devono conoscere queste istruzioni d'uso ed essere informati dei potenziali rischi nel lavoro con l'elettrotensile. Bambini e persone fisicamente deboli non devono usare l'elettrotensile. I bambini devono stare sotto continua sorveglianza se si trovano vicino al luogo dove si lavora con l'elettrotensile. È obbligatorio prendere anche precauzioni di sicurezza. Lo stesso concerne pure l'osservanza delle regole principali relative alla salute e alla sicurezza professionale.
- Il fabbricante non sarà ritenuto responsabile per modifiche apportate dall'utente all'elettrotensile, o per guasti causati da tali modifiche.
- Non usare l'elettrotensile all'aperto quando piove, in un ambiente umido (dopo una pioggia), o in vicinanza di liquidi o gas facilmente infiammabili. Mantenere il posto di lavoro ben illuminato.

## 3. ISTRUZIONI PER L'USO

### ISTRUZIONI PER L'USO

#### PRENDERE VISIONE DELL'ELETTROTENSILE

Prima di cominciare a lavorare con l'elettrotensile, prendere conoscenza di tutte le particolarità operative e condizioni di sicurezza. Impiegare l'elettrotensile e i suoi accessori unicamente secondo la destinazione d'uso.

Ogni altro impiego è espressamente vietato.

#### ① Fresatrice – vista frontale

1. Cavo di alimentazione con spina
2. Impugnatura
3. Indicatore del senso di rotazione
4. Vite ad alette per guida parallela-aste di guida (2x)
5. Base in alluminio stampato
6. Attacco per guida parallela aste di guida
7. Guida graduata
8. Vite ad alette per la regolazione della battuta in profondità
9. Asta con la marcatura di posizionamento
10. Pomello di regolazione di precisione per la profondità di fresatura

#### Dettaglio grafico A

a1 Punto di misurazione asta

#### Dettaglio grafico B

b1 Punta metallica dell'asta di misurazione

#### Dettaglio grafico C

c1 Asta per guida parallela

c2 Guida parallela

#### Dettaglio grafico D

d1 Fresa

d2 Collare

#### ② Fresatrice – vista retro

10. Regolazione elettronica della velocità di rotazione
11. Levetta di blocco
12. Raccordo per aspirazione polvere
13. Mandrino a vite
14. Asta estensibile
15. Tasto di sicurezza per bloccaggio interruttore
16. Interruttore di avvio/arresto
17. Viti di fissaggio boccola di riproduzione fresatura
18. Boccola di riproduzione fresatura

#### Dettaglio grafico E

e1 Tasto blocca alberino

e2 Chiave

#### Dettaglio grafico F

f1 Sagoma

f2 Copia del pezzo

#### Dettaglio grafico G

Veduta della piastra base

#### Dettaglio grafico H

Schema della corretta direzione di fresatura

Questi elettrotensili vengono alimentati da corrente alternata monofase. Avendo l'isolamento doppio conformemente all'EN EN 60745-1 e all'IEC 60745, possono essere innestati in prese senza piattine di massa. I disturbi radio corrispondono alla Direttiva di compatibilità. Le fresatrici per legno sono elettrotensili manuali, destinati alla fresatura di scanalature, smussamenti, bisellature, spigoli, bordi profilo e fori in legno, assicelle di legno o plastica, mediante frese a perno o a profilo.

#### MONTAGGIO

##### Montaggio dell'utensile per fresatrice (vedi figura 1-2)

- Prima di qualunque intervento sull'elettrotensile estrarre la spina di rete dalla presa.
  - Per eseguire operazioni di montaggio o di sostituzione di utensili accessorio per la fresatrice si raccomanda di mettere guanti di protezione.
- A seconda del tipo di applicazione richiesto sono disponibili utensili fresa dai tipi più svariati e con diversi livelli di qualità.

**Utensili fresa in acciaio extrarapido ad alta prestazione** sono adatti per la lavorazione di materiali morbidi come p. es. legname tenero e materiali sintetici.

**Utensili fresa in acciaio duro** sono adatti in modo particolare per la lavorazione di materiali duri ed abrasivi come p. es. il legname duro e l'alluminio.

Utilizzare esclusivamente frese in perfetto stato e pulite.

- Ribaltare il paratrucoli 5 verso il basso.
- Ribaltare la levetta di bloccaggio del mandrino 12 in senso orario. Ruotare eventualmente il motore mandrino manualmente, quanto necessario per bloccarlo.
- Sbloccare il dado con collare portautensile 14 utilizzando la chiave fissa in dotazione e girando in senso antiorario.
- Inserire l'utensile fresa nel collare di serraggio. Il gambo della fresa deve essere inserito nel collare portautensile per almeno 20 mm.
- Avvitare forte il dado con collare portautensile 14 utilizzando la chiave fissa in dotazione ruotandola in senso orario. Riportare la levetta di bloccaggio del mandrino 12 nella posizione originaria.
- Ribaltare il paratrucoli 5 verso l'alto.
- Quando la boccia di riproduzione non è montata, non utilizzare mai utensili fresa con un diametro maggiore di 50 mm. Tali utensili fresa sono troppo grandi per il pattino.
- Non stringere mai il collare portautensili fintanto che non vi sia stato montato nessun utensile fresa. In caso contrario vi è il pericolo di danneggiare il collare portautensili.

##### Aspirazione polvere/aspirazione trucioli (vedi figura 2)

- Polveri e materiali come vernici contenenti piombo, alcuni tipi di legname, minerali e metalli possono essere dannosi per la salute. Il contatto oppure l'inalazione delle polveri possono causare reazioni allergiche e/o malattie delle vie respiratorie dell'operatore oppure delle persone che si trovano nelle vicinanze.

Determinate polveri come polvere da legname di faggio o di quercia sono considerate cancerogene, in modo particolare insieme ad additivi per il trattamento del legname (cromato, protezione per legno). Materiale contenente amianto deve essere lavorato esclusivamente da personale specializzato.

- Utilizzate, se possibile, un sistema di aspirazione delle polveri.
  - Provvedere per una buona aerazione del posto di lavoro.
  - Si consiglia di portare una mascherina protettiva con classe di filtraggio P2.
- Osservare le norme in vigore nel Vostro paese per i materiali da lavorare.

#### Montaggio dell'adattatore per l'aspirazione polvere

Il raccordo aspiratore 13 può essere montato con il raccordo per tubi flessibili verso la parte anteriore oppure verso la parte posteriore. Fissare il raccordo aspiratore 13 avvitando le 2 viti nel pattino 5.

#### Collegamento dell'aspirazione polvere

Inserire un tubo di aspirazione sul già montato raccordo aspiratore. Collegare il tubo di aspirazione con un aspirapolvere.

L'elettrotensile può essere collegato direttamente ad un aspiratore multiuso della STATUS munito di dispositivo automatico di teleinserimento.

Questo entra automaticamente in azione al momento in cui si avvia l'elettrotensile. L'aspirapolvere deve essere adatto per il materiale da lavorare.

Utilizzare un aspiratore speciale per l'aspirazione di polveri particolarmente nocive per la salute, cancerogene oppure polveri asciutte.

#### USO

##### Messa in funzione

- **Osservare la tensione di rete! La tensione della rete deve corrispondere a quella indicata sulla targhetta dell'elettrotensile. Gli elettrotensili con l'indicazione di 230 V possono essere collegati anche alla rete di 220 V.**

##### Preselezione del numero di giri (vedi figura 2)

Tramite la rotellina per la selezione del numero giri 11 è possibile preselezionare la velocità richiesta anche durante la fase di funzionamento.

1-2 velocità bassa, 3-4 velocità media, 5-7 velocità alta.

I dati riportati nella tabella hanno puro valore indicativo. Il numero di giri necessario dipende dal tipo di materiale in lavorazione e dalle specifiche condizioni operative e può essere dunque determinato a seconda del caso eseguendo delle prove pratiche.

Materiale	Diametro della fresa (mm)	Posizione rotellina selezione numero di giri (11)
-----------	---------------------------	---

Legno duro (faggio)	4-10 / 12-20	5-7 / 3-4
Legno dolce (pino)	4-10 / 12-20	5-7 / 3-5
Pannelli di masonite	4-10 / 12-20	3-7 / 2-4
Plastica	4-10 / 12-20	2-3 / 1-2
Alluminio	4-10 / 12-20	1-2

In seguito a lunghe operazioni di lavoro a bassa velocità, per farlo raffreddare, lasciar ruotare l'elettrotensile in funzionamento a vuoto per ca. 3 minuti alla massima velocità.

##### Accendere/spegnere

Prima di accendere/spegnere, regolare la profondità di fresatura, cfr. paragrafo «Regolazione della profondità di passata».

Per accendere l'elettrotensile premere prima il tasto di bloccaggio 16 quindi l'interruttore di avvio/arresto 17 e tenerlo premuto.

Per spegnere l'elettrotensile rilasciare di nuovo l'interruttore di avvio/arresto 17.



#### REGOLAZIONE DELLA PROFONDITÀ DI FRESATURA

Prima di procedere a qualsiasi aggiustaggio spegnere sempre la macchina con l'interruttore ON/OFF e aspettare finché l'alberino non ha smesso completamente di girare.

- Rimuovere la trave portante a sbalzo finché l'utensile tocchi la superficie del pezzo da lavorare, bloccare con l'aiuto del morsetto 12 e marcare la posizione sulla scala verticale come iniziale (a zero).
- Regolare il primo grado di profondità con l'aiuto del limitatore 9, diretto contro il livello massimo del supporto a tre posizioni 7, segnando la dimensione sulla scala verticale, e bloccare la trave portante a sbalzo con il morsetto 12. Bloccare il limitatore 9 con l'ausilio della vite ad alette 8 (aggiustare in anticipo i tre gradi del supporto a posizioni ai livelli desiderati).
- Il secondo e il terzo grado di profondità di fresatura vengono determinati girando il disco del supporto a tre posizioni 7 e muovendo la trave portante a sbalzo, finché il limitatore 9 non ha toccato il livello rispettivo del supporto.
- Controllare le dimensioni lungo la scala verticale, o con l'ausilio di un pezzo da lavorare di controllo (di prova).

**Esempio:** La profondità richiesta di fresatura deve essere di 10,0 mm. Con la fresatura di prova si è avuta una profondità di fresatura pari a 9,6 mm.

- Sollevare la fresatrice verticale e posare p. es. un pezzo di legno sotto la piastra di scorrimento 5 in modo che la fresa d1 non tocchi il pezzo in lavorazione quando viene abbassata. Girare la levetta di sblocco 12 verso sinistra e spostare la fresatrice verticale lentamente verso il basso fino a far poggiare punta b1 della guida di profondità 9 sulla battuta a gradi 7.
- Posizionare la scala 9 su «0» ed allentare la vite ad alette 8.
- Ruotare il pomello 10 di 0,4 mm/4 trattini (differenza tra valore nominale e valore reale) in senso antiorario ed avvitarlo forte la vite ad alette 8.
- Controllare la profondità di fresatura selezionata eseguendo un'ulteriore fresatura di prova.

#### Indicazioni operative

#### • Proteggere le frese da battute e da colpi.

#### Direzione di fresatura ed operazione di fresatura (vedi figura H)

- L'operazione di fresatura deve essere eseguita sempre nel senso inverso a quello del senso di rotazione dell'utensile per la fresatrice d1. In caso di fresatura nel senso di rotazione (fresatura concorde) l'elettrotensile può essere sbalzato dalla mano dell'operatore.
- Regolare la profondità di fresatura richiesta, vedere parte della documentazione «Regolazione della profondità di passata».
- Applicare sul pezzo in lavorazione l'elettrotensile con l'utensile fresa già montato ed accendere l'elettrotensile.
- Girare la levetta di sblocco 12 verso sinistra e spostare la fresatrice verticale lentamente verso il basso fino a raggiungere la profondità di fresatura regolata. Girare la levetta di sblocco 12 verso destra per fissare la profondità di lavorazione.
- Eseguire l'operazione di fresatura operando con un avanzamento uniforme.

- Una volta terminata l'operazione di fresatura, riportare la fresatrice verticale indietro sulla posizione più alta.
- Spegnere l'elettrotensile.

#### Lavori di fresatura con la battuta ausiliaria (vedi figura F)

Per la lavorazione di grossi pezzi in lavorazione, p. es. in caso di fresatura di scanalature è possibile fissare al pezzo in lavorazione una tavola oppure un'asse come battuta ausiliaria ed operare spingendo la fresatrice verticale lungo la battuta ausiliaria. Spostare la fresatrice verticale alla parte ribassata della piastra di scorrimento lungo la battuta ausiliaria.

#### Fresatura di bordi o di forme

In caso di fresatura di spigoli o di forme senza guida parallela, l'utensile fresa deve essere munito di un perno di guida oppure di un cuscinetto a sfere.

- Avvicinare lateralmente l'elettrotensile già acceso al pezzo in lavorazione fino a far poggiare sul bordo del pezzo in lavorazione il perno di guida o il cuscinetto a sfere dell'utensile fresa.
- Tenendolo con entrambe le mani, operare con l'elettrotensile spingendolo lungo il bordo di un pezzo in lavorazione. Così facendo, attenzione ad assicurarsi sempre un appoggio che sia a squadra. Una pressione troppo forte può danneggiare il bordo del pezzo in lavorazione.

#### Fresature eseguite con la guida parallela (vedere figura C)

Infilare la guida parallela c2 con le aste di guida c1 negli appositi attacchi 6 del pattino 5 e fissarle bene con le vite ad alette 4 in base alla misura richiesta. Operare con l'elettrotensile spingendolo in maniera regolare in avanti lungo il bordo di un pezzo in lavorazione esercitando una pressione laterale sulla guida parallela.

#### Fresature eseguite con boccia di riproduzione (vedere figura F - G)

Impiegando la boccia di riproduzione 19 è possibile trasmettere sul pezzo in lavorazione profili di modelli oppure di dime a disposizione.

Applicare la boccia di riproduzione 19 sulla parte inferiore della piastra di scorrimento 5 ed avvitarela bene utilizzando le 2 viti di fissaggio 18.

Per via dell'altezza sporgente della boccia di riproduzione, la dima deve avere uno spessore di almeno 8 mm.

#### • Scegliere un utensile fresa con un diametro che sia minore del diametro interno della boccia di riproduzione.

In modo da garantire che la distanza dal centro della fresa rispetto al bordo della boccia di riproduzione sia sempre dappertutto identica.

Per fresature con la boccia di riproduzione 19 procedere come segue:

- Accendere l'elettrotensile con la boccia di riproduzione ed avvicinarlo alla dima.
- Girare la levetta di sblocco 12 verso sinistra e spostare la fresatrice verticale lentamente verso il basso fino a raggiungere la profondità di fresatura regolata. Girare la levetta di sblocco 12 verso destra per fissare la profondità di lavorazione.
- Operare con l'elettrotensile con boccia sporgente di riproduzione spingendolo lungo la dima esercitando una pressione laterale.

**MANUTENZIONE**

**AVVERTENZA:** Spegnerne sempre l'elettrotensile e staccare la spina dalla presa prima di ogni ispezione o manutenzione.

**SOSTITUZIONE DELLE SPAZZOLE** L'elettrotensile è munito di spazzole che si disinseriscono da sole. Quando le spazzole vengono usurate, entrambe le spazzole vanno sostituite simultaneamente con spazzole originali in un centro assistenza tecnica della STATUS per manutenzione in o fuori garanzia.

**CONTROLLO GENERALE** Verificare regolarmente tutti gli elementi di fissaggio e accertarsi che siano saldamente stretti. Nel caso in cui qualche vite si sia allentata, stringerla subito, per evitare situazioni di rischio. Se il cavo di alimentazione viene danneggiato, la sostituzione va effettuata dal fabbricante o da uno specialista di centro assistenza, per evitare i pericoli della sostituzione.

**PULIZIA** Per un lavoro sicuro mantenere sempre puliti la macchina e le aperture di ventilazione. Controllare regolarmente che nella griglia di ventilazione vicino al motore elettrico o intorno ai commutatori non siano penetrati polvere o corpi estranei. Usare una spazzola morbida per rimuovere la polvere ammassata. Per proteggere gli occhi, indossare durante la pulizia occhiali protettivi. Mantenere puliti i fori con flettatura. Pulire regolarmente e lubrificare con olio le guide verticali.

Se la carcassa della macchina necessita pulizia, spolverarla con un canovaccio morbido e umido. Si può usare un debole detergente.

**AVVERTENZA** Non è ammesso l'uso di alcool, benzina o altri solventi.

Non adoperare mai preparati attaccanti per la pulitura delle parti plastiche.

**AVVERTENZA** Non è ammessa l'entrata di acqua in contatto con la macchina.

**IMPORTANTE!** Per provvedere a un lavoro sicuro con l'elettrotensile, e alla sua affidabilità, tutte le attività relative alla riparazione, la manutenzione e la regolazione (ivi incluse la verifica e la sostituzione delle spazzole) vanno effettuare nei centri assistenza autorizzati STATUS, usando soltanto pezzi di ricambio originali.

**DICHIARAZIONE DI CONFORMITÀ CE**

Con la presente dichiariamo che **Fresatrice STATUS RH1200** corrisponde alle seguenti direttive UE in materia nella rispettiva versione valida: 2014/30/EU, 2006/42/EC.

Per garantire la conformità sono state applicate le seguenti norme armonizzate e anche le norme e disposizioni nazionali che seguono:

EN 60745-1:2009+A11, EN 60745-2-17:2010, EN 55014-2:2015

EN 55014-1:2006+A1+A2, EN 61000-3-2:2014, EN 61000-3-3:2013.

Il produttore è il solo responsabile della stesura della presente dichiarazione di conformità: STATUS ITALIA S.R.L., via Aldo Moro, 14/A, 36060 - Pianezze (VI), ITALIA



Caron Giacinto  
L'Amministratore  
STATUS ITALIA S.R.L.

**DATI TECNICI**

Potenza assorbita	1200W
Numero di giri a vuoto	11000-30000/min
Diametro delle bussole di chiusura	6/8 mm
Profondità massima di fresatura	0-55 mm
Peso (procedura EPTA 01/2014)	3,4 kg
Classe di protezione (EN 60745-1)	CLASS II

**ACCESSORI**

Guida parallela, guida della sagoma, adattatore per aspiripolvere, chiavi, coltello 6 mm.

**ULTERIORI INFORMAZIONI**

Leggere attentamente tutte le istruzioni prima di iniziare a lavorare con l'utensile. L'azienda produttrice si riserva il diritto di apportare modifiche tecniche senza preavviso. Le specifiche tecniche possono variare da paese a paese.

**INFORMAZIONI SUL RUMORE E SULLE VIBRAZIONI****Emissione acustica (EN 60745)**

A-livello di pressione sonora ponderata  $L_{pA}$  - 86 dB(A)

Indeterminazione  $K_{pA}$  - 3.0 dB

A-livello di potenza sonora ponderata  $L_{wA}$  - 97dB(A)

Indeterminazione  $K_{wA}$  - 3.0 dB

**Emissione di vibrazioni (EN 60745-1)**

Valore delle vibrazioni emesse  $a_h$  - 6,23 m/s<sup>2</sup>

Indeterminazione K - 1,5 m/s<sup>2</sup>

### ОБЩИ УКАЗАНИЯ ЗА БЕЗОПАСНОСТ

**ПРЕДУПРЕЖДЕНИЕ!** Четете всички предупреждения и указания за безопасност. Неспазването на предупрежденията и указанията за безопасност може да предизвика поражение от електрически ток, пожар и/или сериозно нараняване.

Запазете всички предупреждения и указания за бъдещо ползване. Терминът “електроинструмент” във всички описани по-долу предупреждения се отнася до вашия електроинструмент, захранван от мрежата (с шнур) и/или електроинструмент, захранван от акумулаторна батерия (без шнур).

#### БЕЗОПАСНОСТ НА РАБОТНОТО МЯСТО

- **Поддържайте работното място чисто и добре осветено.** Безпорядъкът и недостатъчното осветление са предпоставка за трудови злополуки.
- **Не работете с електроинструменти в експлозивни атмосфери при наличие на запалими течности, газове или прах.** Електроинструментите образуват искри, които могат да възпламенят праха или парите.
- **Дръжте децата и страничните лица на разстояние, когато работите с електроинструмент.** Разсейването може да доведе до загуба на контрол от Ваша страна.

#### ЕЛЕКТРИЧЕСКА БЕЗОПАСНОСТ

- **Щепселите на електроинструментите трябва да съответстват на контактите. Никога не променяйте щепсела по какъвто и да било начин. Не използвайте каквито и да са адаптерни щепсели за електроинструменти със защитно заземяване.** Употребата на непроменени щепсели и съответстващите им контакти намалява риска за поражение от електрически ток
- **Избягвайте допир на тялото до земя или до заземени повърхности, такива като тръби, радиатори, кухненски печки и хладилници.** Ако тялото ви е заземено, съществува повишен риск от поражение от електрически ток.
- **Не излагайте електроинструментите на дъжд или във влажна среда.** Проникването на вода в електроинструмента повишава риска от поражение от електрически ток.
- **Използвайте шнура по предназначение. Никога не използвайте шнура за носене на електроинструмента, опъване или изваждане на щепсела от контактното гнездо. Дръжте шнура далече от топлина, масло, остри ръбове или движещи се части.** Увредени или оплетени шнурове повишават риска за поражение от електрически ток.
- **При работа с електроинструмента на открито, използвайте удължител, подходящ за работа на открито.** Използването на удължител, подходящ за работа на открито, намалява риска от поражение от електрически ток.
- **Ако работата с електроинструмента във влажна среда е неизбежна, използвайте предпазно устройство, задействано от остатъчен ток, за прекъсване на захранването.** Използването на предпазно устройство намалява риска от поражение от електрически ток.

### ЛИЧНА БЕЗОПАСНОСТ

- **Бъдете бдителни, работете с повишено внимание и проявявайте благоразумие, когато работите с електроинструмент. Не използвайте електроинструмента, когато сте уморени или под влияние на наркотици, алкохол или медикаменти.** Момент на невнимание при работа с електроинструмент може да предизвика сериозна трудова злополука.
  - **Използвайте лични предпазни средства. Носете винаги средства за защита на очите.** Лични предпазни средства, като маска против прах, неплъзгащи се безопасни обувки, защитен шлем или средства за защита на слуха, използвани при конкретните условия, намаляват риска от трудови злополуки.
  - **Избягвайте неволно пускане. Убедете се, че прекъсвачът е в изключено положение преди включване към източник на захранване и/или акумулаторна батерия, преди да го вземете или пренасяте.** Носенето на електроинструмент с пръст върху прекъсвача или свързването към източник на захранване на електроинструмент с прекъсвач във включено положение е предпоставка за трудова злополука.
  - **Отстранете всеки ключ за затягане или гаечен ключ преди включване на електроинструмента.** Ключ за затягане или гаечен ключ, прикрепен към въртяща се част на електроинструмента, може да предизвика трудова злополука.
  - **Не се пресягайте. Поддържайте правилен строеж и равновесие през цялото време.** Това позволява по-добро управление на електроинструмента при неочаквани ситуации.
  - **Носете подходящо работно облекло. Не носете широки дрехи или бижута. Дръжте косите си, дрехите и ръкавиците далеч от движещи се части.** Широки дрехи, бижута или дълги коси могат да се захванат от движещи се части.
  - **Ако електроинструментът е снабден с приспособления за засмукване и улавяне на прах, убедете се, че те са свързани и правилно използвани.** Използването на тези устройства може да намали свързаните с прах опасности.
- #### ИЗПОЛЗВАНЕ И ГРИЖИ ЗА ЕЛЕКТРОИНСТРУМЕНТИТЕ
- **Не претоварвайте електроинструмента. Използвайте правилно избрания електроинструмент според приложението.** Правилно избраният електроинструмент работи по-добре и по-безопасно при обявения режим на работа, за който е проектиран.
  - **Не използвайте електроинструмента, ако прекъсвачът не превключва във включено и изключено положение.** Всеки електроинструмент, който не може да бъде управляван с прекъсвач, е опасен и трябва да бъде ремонтиран.
  - **Разединете щепсела от захранващата мрежа преди да извършите всякакви настройки, преди замяна на принадлежности или преди да приберете електроинструмента за съхранение.**

## 2. ДОПЪЛНИТЕЛНИ УКАЗАНИЯ ЗА БЕЗОПАСНОСТ ПРИ РАБОТА С ФРЕЗИ

Тези предпазни мерки за безопасност намаляват риска от неволно пускане на електроинструмента.

- Съхранявайте неизползваните електроинструменти на места, недостъпни за деца и не позволявайте на обслужващи лица, които не познават електроинструмента или не са запознати с тези инструкции, да работят с него. Електроинструментите са опасни в ръцете на необучени потребители.
- Поддържайте електроинструментите. Проверявайте движещите се части дали функционират нормално и се движат свободно, целостта и изправността на частите, както и за всякакво друго обстоятелство, което може неблагоприятно да повлияе на работата на електроинструмента. Ако е повреден, електроинструментът трябва да бъде ремонтиран преди по-нататъшно използване. Много злополуки са причинени от лошо поддържани електроинструменти.
- Поддържайте режещите инструменти остри и чисти. Правилно поддържаните режещи инструменти с остри режещи ръбове е по-малко вероятно да блокират и са по-лесни за управление.
- Използвайте електроинструмента, принадлежностите и частите на инструмента и т.н. в съответствие с тези инструкции и по начин, предвиден за конкретния тип електроинструмент, като вземате предвид работните условия и работата, която трябва да се извършва. Използването на електроинструмента за работа, различна от тази, за която е проектиран, може да предизвика опасна ситуация.

### ОБСЛУЖВАНЕ

- Поддържайте вашия електроинструмент при квалифициран специалист по ремонта, като използвате само оригиналните резервни части. Това осигурява запазването на безопасността на електроинструмента.

## ДОПЪЛНИТЕЛНИ УКАЗАНИЯ ЗА БЕЗОПАСНОСТ ПРИ РАБОТА С ФРЕЗИ



**Използвайте средства за защита на слуха при работа с фрези.** Интензивният шум по време на работа може да предизвика слухови увреждания.

- По време на работа винаги използвайте двете ръкохватки. Загубата на контрол може да предизвика трудова злополука.



**По време на работа използвайте средства за защита на зрението, за да се предпазите от хвърчащи частици.** Носете защитни очила.



**Вземете предпазни мерки срещу вдишване на прах.**

Някои материали могат да съдържат токсични съставки. Носете прахозащитна маска. Използвайте устройство за прахоотвеждане, ако е възможно присъединяването му към електроинструмента.

- Дръжте електроинструмента само за изолираните повърхности за

## 2. ДОПЪЛНИТЕЛНИ УКАЗАНИЯ ЗА БЕЗОПАСНОСТ ПРИ РАБОТА С ФРЕЗИ

**захващане когато извършвате операция, при която режещата принадлежност може да допре до скрита ел.инсталация или до собствения шнур.** Допирът на режещата принадлежност до проводник под напрежение ще постави откритите метални части на електроинструмента под напрежение и операторът ще получи токов удар.

- Не обработвайте материали, съдържащи азбест.
- Препоръчва се използването на защитни ръкавици.



**ПРЕДУПРЕЖДЕНИЕ:** Преди да свържете електроинструмента към захранващата мрежа, убедете се че захранващото напрежение отговаря на посоченото върху табелката с технически данни на електроинструмента.

- Източник на захранване с напрежение, по-високо от посоченото за електроинструмента, може да предизвика както сериозно поражение от електрически ток върху оператора, така и повреда на електроинструмента.
- Ако имате някакви колебания, не поставяйте щепсела на електроинструмента в контактното гнездо.
- Използването на източник на захранване напрежение, по-ниско от обозначеното върху табелката на електроинструмента, ще увреди електродвигателя.
- За да се предотврати евентуално прегряване, винаги развивайте докрай кабела от удължител с кабелен барабан.
- Когато се налага използването на удължител, убедете се, че сечението му отговаря на номиналния ток на използвания електроинструмент, както и в изправността на удължителя.



**ПРЕДУПРЕЖДЕНИЕ:** Винаги изключвайте електроинструмента и изваждайте щепсела от контакта преди извършване на каквато и да било настройка, обслужване или поддръжка и при отпадане на захранващото напрежение.

- Преди започване на работа отстранете от обработвания детайл всички гвоздеи, винтове и други тела. При връзване в гвоздей или друго метално тяло можете да повредите фрезера и електроинструмента, което е предпоставка за трудова злополука.
- Фиксирайте обработвания детайл в менгеме или по друг подходящ начин.
- Не включвайте фрезата под товар. Преди да включите машината се убедете, че фрезерът не допира обработваната повърхност.
- Винаги водете фрезата, като използвате и двете ръкохватки и се уверете, че държите машината здраво, преди да започнете някаква операция.
- Винаги изключвайте електроинструмента и изчакайте до пълното спиране на въртене на фрезера, преди да отдръпнете машината от обработвания детайл.
- Не докосвайте фрезера веднага след преустановяване на работа с него. Фрезерът може да бъде много горещ и да получите изгаряне на кожата.
- В работната област не се допуска наличие на парцали, кърпи, кълчища, канап, шнурове и др.
- Дръжте захранващия кабел извън работния обсег на машината.

### 3. УКАЗАНИЯ ЗА РАБОТА

- Не използвайте електроинструмента с повреден кабел. Не докосвайте повредения кабел и извадете щепсела от контакта, ако кабелът се повреди по време на работа. Повредените кабели повишават риска от токов удар.
- Не използвайте износени или повредени фрезери. Износените или повредени фрезери създават повишено триене, могат да се заклинят и да предизвикват биене.
- Електроинструментът трябва да се използва само по предназначение. Всякаква друга употреба, различаваща се от описаната в тази инструкция, ще се счита за неправилна употреба. Отговорността за всякаква повреда или нараняване, произтичащи от неправилна употреба, ще се носи от потребителя, а не от производителя.
- За да експлоатирате правилно този електроинструмент, трябва да съблюдавате правилата за безопасност, общите инструкции и указанията за работа, посочени тук. Всички потребители трябва да са запознати с тази инструкция за експлоатация и информирани за потенциалните рискове при работата с електроинструмента. Деца и физически слаби хора не трябва да използват електроинструмента. Децата трябва да бъдат под непрекъснато наблюдение ако се намират в близост до място, където се работи с електроинструмента. Задължително е да предприемете и превантивни мерки за безопасност. Същото се отнася и за спазването на основните правила за професионално-то здраве и безопасност.
- Производителят не носи отговорност за извършени от потребителя промени върху електроинструмента.
- Електроинструментът е предназначен за работа в помещения и зони с нормална пожарна опасност съгласно "НАРЕДБА № 13- 1971 за строително-технически правила и норми за осигуряване на безопасност при пожар". Не се допуска използването му във взривоопасна и пожароопасна среда, при температура на околния въздух над 40°C, в особено влажна среда, при наличие на валежи и в химически активна среда.

#### УКАЗАНИЯ ЗА РАБОТА

##### ЗАПОЗНАВАНЕ С ЕЛЕКТРОИНСТРУМЕНТА

Използвайте електроинструмента и принадлежностите му само по предназначение. Всяко друго приложение е изрично забранено.

##### Илюстрирани съставни части

Номерирането на илюстрираните съставни части се отнася до илюстрацията на електроуреда, който се намира на страницата с графично представяне.

##### ① Фреза – фронтален вид

- |                                     |   |
|-------------------------------------|---|
| 1. Захранващ кабел                  | 8. Винтове за регулиране на удара на дълбочина      |
| 2. Дръжка                           | 9. Лост с маркировка на позициите                   |
| 3. Индикатор за посоката на въртене | 10. Копче за регулиране на дълбочината на фрезозане |
| 4. Винтове за паралелния водач      |   |
| 5. Пресована алуминиева основа      |   |
| 6. Захващане на паралелния водач    |   |
| 7. Разграфен водач                  |   |

### 3. УКАЗАНИЯ ЗА РАБОТА

##### ② Фреза – изглед отзад

11. Електронен регулатор на скоростта на въртене
12. Блокиращ лост
13. Накрайник за аспириране на прах
14. Вретено
15. Разтегаем накрайник

##### Детайл на графика А

a1 Точка на измерване на лоста

##### Детайл на графика В

b1 Метална точка на лоста за измерване

##### Детайл на графика С

c1 Лост на паралелния водач

c2 Паралелен водач

##### Детайл на графика D

d1 Фреза

d2 Яка

##### МОНТАЖ

##### Монтаж на приспособление на фрезата (фигура 1-2)

• **Преди за извършване дейности по електроуреда изключете щепсела от електрическата мрежа.**

• **При монтажа на накрайника винаги използвайте ръкавици. При пипане на накрайника има опасност от инциденти.**

Накрайници от изключително твърда стомана с висока издръжливост са подходящи за обработка на меки материали, напр. дърво и синтетични материали. Накрайници от твърда стомана с висока издръжливост са подходящи за обработка на твърди и абразивни материали, напр. твърдо дърво и алуминий. Използвайте почистени фрези в отлично състояние.

- обърнете елементите 5 надолу

- преместете блокиращия лост на елемент 12 по посока на часовниковата стрелка ръчно, колкото е необходимо за да се фиксира

- отблокирайте болта на водача 14 с ключа и завъртете по посока обратна на часовниковата стрелка.

- Поставете накрайника. Крачето на фрезата трябва влиза в накрайника поне 20 мм.

- Завийте винта 14 с ключа като го въртите по посока на часовниковата стрелка. Завъртете блокиращото лостче 12 в оригиналната позиция.

- Обърнете елементите нагоре.

• Когато устието не е монтирано не използвайте накрайници с диаметър над 50мм.

• Не стягайте устието ако не е поставен накрайник. В противен случай устието може да се повреди.

16. Бутон за сигурност за блокиране на прекъсвача

17. Прекъсвач за пускане / спиране

18. Фиксиращи болтове за фрезозане

19. Устие за извършване на фрезозането

##### Детайл на графика Е

e1 Бутон за блокиране на елемента

e2 Ключ

##### Детайл на графика F

f1 Форма

f2 Пластина

##### Детайл на графика G

Изглед на основата

##### Детайл на графика H

Схема на правилната посока на фрезозане

#### Аспириране на прах/частици (виж фигура 2)

- Прах и материали като бои съдържащи олово, някои видове дървесина, минерали и метали могат да бъдат вредни за здравето. Контактът или вдишването на прах могат да причинят алергични реакции и/или заболявания на дихателните пътища на оператора или хората, които се намират в близост.

Определени прахове, като дървесен прах от бук или дъб се считат за канцерогенни, особено ако има добавки към дървесината (бои, лакове). Материали съдържащи азбест трябва да бъдат обработвани изключително от специализиран персонал.

- Ако е възможно използвайте система за аспириране на прах
  - Проветрявайте работното място
  - Препоръчва се да носите предпазна маска с клас на филтриране P2
- Спазвайте нормите на вашата страна за обработване на материали.

#### Монтаж на адаптор на аспиратора за прах

Свързващият елемент на аспиратора 13 може да бъде монтиран на гъвкави тръби в предната или задна част. Фиксирайте аспиратора 13 като завийте двата винта на пластина 5.

#### Свързване на аспиращата система

Поставете тръбата за аспирация според модела директно в отвора за аспирация или изрежете края на част от старата тръба, завийте крайника на аспиратора директно към отвора на аспиратора. Свържете тръбата с прахосмукачката.

Прахосмукачката трябва да бъде пригодена за такъв тип работа. Използвайте специален аспиратор за прах, който е особено вреден за здравето, канцерогенен или сухи прахове.

#### УПОТРЕБА

##### Включване

- **Наблюдавайте напрежението на мрежата! Напрежението на мрежата трябва да съответства на посоченото на табелката на електроуредата. Електроуредите с индикация 230V могат да бъдат свързани с мрежа 220V.**

#### Избор на броя обороти (виж фигура 2)

Чрез регулатора на оборотите 11 можете да изберете необходимата скорост по време на работа.

**1-2** - ниска скорост, **3-4** - средна скорост, **5-7** - висока скорост  
Данните посочени в таблицата имат ориентируваща стойност. Необходимият брой обороти зависи от типа на материала и специфичните условия, които могат да се създадат по време на пробите.

Материал	Диаметър на фрезата (мм)	Позиция на регулатора за избор на обороти (11)
Твърдо дърво (дъб)	4-10 / 12-20	5-7 / 3-4
Меко дърво (бор)	4-10 / 12-20	5-7 / 3-5

Масивни панели	4-10 / 12-20	3-7 / 2-4
Пластмаса	4-12 / 14-20	2-3 / 1-2
Алуминий	4-12 / 14-20	2-3 / 1-2

След дълга работа на ниски обороти за да го охладите оставете уреда да работи 3 минути на максимална скорост.

#### Пускане/спиране

Преди да включите/изключите уреда регулирайте дълбочината на фрезоване, посочена в параграф „Регулиране на дълбочината”.

За пускане на електроуредата натиснете първо бутона за блокиране 16 и след това прекъсвача за пускане/спиране 17 и го дръжте натиснат.

За да изключите електроуредата натиснете отново прекъсвача за пускане/спиране 17.

#### НАСТРОЙВАНЕ ДЪЛБОЧИНАТА НА ФРЕЗОВАНЕ

Преди да пристъпите към каквато и да е настройка винаги изключвайте машината от прекъсвача и изчакайте до пълното спиране на въртенето на инструмента.

- Свалете носещата конзола, докато инструментът докосне повърхността на обработвания детайл, застопорете с помощта на фиксатора 12 и отчетете положението по вертикалната скала като начално (нулево).
- Настройте първата степен на дълбочина с помощта на ограничителя 9, насочен срещу най-високото ниво на трипозиционната опора 7, като отчитате размера по вертикалната скала и застопорете носещата конзола с фиксатора 12. Застопорете ограничителя 9 с помощта на крилчатия винт 8 (предварително настройте трите степени на позиционната опора на желаните от Вас нива).
- Втората и третата степен на дълбочина на фрезоване се определя със завъртане диска на трипозиционната опора 7 и придвижване на носещата конзола, докато ограничителят 9 опре в съответното ниво на опората.
- Контролирайте размерите по вертикалната скала или с помощта на контролен (пробен) детайл.

В случай на фрезоване с по-голяма дълбочина трябва да се предвидят различните фази на работа. Чрез разграфения водач 7 може да се започне операцията по фрезоване на различни етапи. За тази цел регулирайте дълбочината на фрезоване на най-ниската възможна позиция. За тази цел регулирайте дълбочината на фрезоване на най-ниската възможна позиция на разграфения водач и изберете най-високите позиции за първоначалния етап на работа. След пробно фрезоване, като завъртите регулатора 10 ще промените дълбочината на фрезоване точно на желаната от вас. За да увеличите дълбочината завъртете по посока обратна на часовниковата стрелка.

За да намалите дълбочината на фрезоване завъртете по посока на часовниковата стрелка. За тази операция скалата 9 улеснява ориентирането.

Пример: дълбочината на фрезоване трябва да бъде 10,0 мм.

С пробно фрезоване се получава фрезоване от 9,6 мм.

### 3. УКАЗАНИЯ ЗА РАБОТА

-повдигнете вертикалната фреза и поставете например парче дърво под пластината 5 така, че фрезата д1 да не докосна обекта на работа когато се свали надолу. Завъртете лоста за блокиране 12 наляво и поставете вертикалната фреза бавно надолу докато докосне точка б1 на водача за дълбочина 9 върху разграфения елемент 7.

- Позиционирайте скалата 9 на „0” и завийте винтовете на пластината 8
- Завъртете регулатора 10 на 0,4мм/4 деления (разлика между номиналната и реалната стойност) по посока обратна на часовниковата стрелка и завийте добре винтовете на пластината 8
- Проверете дълбочината на фрезозане като изберете следващо пробно фрезозане.

#### Оперативни указания

##### • Пазете фрезите от падания и удари

#### Посока на фрезозане и операции по фрезозане (виж фигура Н)

- **Операцията по фрезозане трябва да бъде извършена винаги в посока обратна на посоката на въртене на уреда д1. В случай на фрезозане в посоката на въртене електроуредът може да отскочи от ръката на оператора.**
- регулирайте дълбочината на фрезозане съгласно документация „Регулиране на дълбочината”
- приложете на работното поле електроуред с монтиран крайник и включете
- завъртете лоста за блокиране 12 наляво и свалете фрезата бавно надолу докато достигнете регулираната дълбочина. Завъртете лоста за блокиране 12 надясно за да фиксирате работната дълбочина.
- извършете операцията по фрезозане с равномерен натиск
- след като завършите операцията по фрезозане поставете фрезата обратно на най-висока позиция
- изключете електроуред

#### Фрезозане с допълнителен удар (виж фигура Ф)

За обработване на големи части, например в случай на фрезозане на канали към работното поле може да се фиксира маса или ос и да се работи като се натиска вертикалната фреза по спомагателното приспособление.

#### Фрезозане на борд или форми

В случай на фрезозане на бордове или форми без паралелен водач, фрезата трябва да бъде снабдена с водач или сферичен крайник.

- доближете бавно включения електроуред към работното поле докато водачът или сферичният крайник го докоснат. Като го държите с двете ръце работете с електроуред по продължение на обработвания елемент.

Със силен натиск можете да повредите обекта на работа.

#### Фрезозане с паралелен водач (виж фигура С)

Поставете паралелния водач с2 с крайниците с1 на съответните места 6 на планката 5 и ги фиксирайте добре с винтовете 4 според искания размер.

Работете с електроуред като го тласкате равномерно напред по дължина на работното поле като упражнявате страничен натиск върху паралелния водач.

### 4. ПОДДРЪЖКА И ТЕХНИЧЕСКА ПОМОЩ

#### Фрезозане с втулка (виж фигура F-G)

С втулката 19 е възможно да направите профили на модели или налични форми.

Поставете втулката 19 в долната част на пластината 5 и я завийте добре като използвате 2 вита за фиксиране 18.

Поради височината на втулката обектът трябва да е с дебелина поне 8мм.

#### • Изберете крайник с диаметър, който е по-малък от вътрешния диаметър на втулката.

Уверете се, че разстоянието от центъра на фрезата до борда на втулката е винаги еднакъв.

За фрезозане с втулка 19 направете следното:

- Включете електроуред с втулката и го приближете към обекта.
- Завъртете лоста за блокиране 12 наляво и поставете вертикалната фреза бавно надолу докато достигне регулираната дълбочина. Завъртете лоста за блокиране 12 надясно на да фиксирате дълбочината на работа.
- Работете с електроуред с втулка като го тласкате равномерно със страничен натиск.

### ПОДДРЪЖКА И ТЕХНИЧЕСКА ПОМОЩ

#### Поддръжка и почистване

- **Преди за извършване дейности по електроуред изключете щепсела от електрическата мрежа**
- **За да можете да гарантирате добри и сигурни работни операции, дръжте винаги чисти електроуред и контактите за вентилация**
- **В случай на екстремни условия на работа е възможно в уреда да се събере прах. Състоянието на изолацията на електроуред може да бъде компрометирано. В този случай се препоръчва използване на стационарен аспиратор, който да се включва автоматично при повреда във вентилацията.**

Ако въпреки грижливите процедури на производство и контрол електроуредът се повреди, поправката му ще бъде извършена от оторизиран пункт за техническа помощ за електроуреди STATUS.

В случай на искане или на поръчване на резервни части, съобщавайте винаги кода на продукта с 8 цифри, прикачен на табелка от производителя на уреда.

#### Изхвърляне

Изпратете за предпазващо околната среда рециклиране вече неизползваемите опаковки, електроуреди и аксесоари.

## 5. ТЕХНИЧЕСКИ ДАННИ

### ТЕХНИЧЕСКИ ДАННИ

Консумирана мощност	1200W
Обороти на празен ход	11000-30000/min
Диаметър на цангите	6/8 mm
Макс. дълбочина на фрезозане	0-55 mm
Тегло (ЕРТА процедура 01/2014)	3,4 kg
Клас на защита (EN 60745-1)	II

### АКСЕСОАРИ

Паралелен водач, копираща втулка, адаптер за прахоотвеждане, цанга 6 мм, гаечни ключове.

### ЗАБЕЛЕЖКИ

Внимателно прочетете цялата инструкция за експлоатация преди да използвате това изделие. Производителят си запазва правото да въвежда подобрения и промени в своите изделия и да променя спецификациите без предупреждение.

Спецификациите могат да се различават за отделните страни.

### ИНФОРМАЦИЯ ЗА ШУМ И ВИБРАЦИИ

Стойностите са измерени съгласно EN 60745.

А-претеглено ниво на звуково налягане  $L_{pA}$  - 86 dB(A)

Неопределеност  $K_{pA}$  - 3.0 dB

А-претеглено ниво на звукова мощност  $L_{wA}$  - 97 dB(A)

Неопределеност  $K_{wA}$  - 3.0 dB

### Излъчване на вибрации (EN 60745-1)

Стойност на излъчените вибрации  $a_h$  - 6,23 m/s<sup>2</sup>,

Неопределеност K - 1,5 m/s<sup>2</sup>

### ДЕКЛАРАЦИЯ ЗА СЪОТВЕТСТВИЕ

STATUS ITALIA S.R.L. декларира, че този продукт с търговска марка STATUS: фреза RH1200 е произведен в съответствие със следните директиви на ЕС: Директива за машини: 2014/30/EU, 2006/42/ЕС

А също така отговаря на следните стандарти: EN 60745-1:2009+A11, EN 60745-2-17:2010, EN 55014-2:2015, EN 55014-1:2006+A1+A2, EN 61000-3-2:2014, EN 61000-3-3:2013.

Техническата документация се съхранява при производителя:

STATUS ITALIA S.R.L., Виа Алдо Моро, 14 / А, 36 060 - Pianezze (VI), ИТАЛИЯ

  
Карон Джиасинто  
Директор  
STATUS ITALIA S.R.L.

Информация за сертификата на съответствие се намира на сайта [www.status-tools.com](http://www.status-tools.com). Представител в България: Спринтер ЕООД, адрес: България, гр. София, п.к. 1000, Център, Триадица, бул. Христо Ботев 28, ет. 7.

## 1. НАЗНАЧЕНИЕ ИЗДЕЛИЯ 2. ИНСТРУКЦИЯ К ИЗДЕЛИЮ

### НАЗНАЧЕНИЕ ИЗДЕЛИЯ

Данное изделие предназначено для сверления, выборки пазов, выполнения фасок, закруглений и фигурных выступов на кромках, фрезерования сквозных отверстий или углублений любой формы на заготовках с плоской поверхностью. Изделие предназначено для работы по дереву, фанере и ламинату. Запрещается обработка изделием вредных для здоровья материалов (например асбеста), а также материалов с высокой твердостью (стали, камня, керамической плитки и т.п.).

### ИНСТРУКЦИЯ К ИЗДЕЛИЮ

Внимательно прочитайте данную инструкцию.

При чтении не пропускайте ни одного раздела данной инструкции.

Особое внимание уделите пунктам, помеченным указанными ниже знаками.

#### ОПАСНОСТЬ!

Обозначает ситуации непосредственно угрожающие жизни и здоровью.

#### ВНИМАНИЕ!

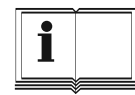
Обозначает ситуации потенциально опасные для жизни и здоровья.

#### ОСТОРОЖНО!

Обозначает ситуации в результате которых можно получить травму или вывести изделие из строя.

#### СПРАВКА!

Обозначает информацию по сборке и использованию изделия, незнание которой может привести к опасной ситуации или к выходу изделия из строя.



### Другие символы используемые в инструкции или на изделии



Внимательно прочтите инструкцию



Используйте защитную маску



Используйте защитные очки



Используйте наушники



Используйте защитную одежду



**ИНСТРУКЦИЯ ПО БЕЗОПАСНОСТИ****ВНИМАНИЕ!**

Внимательно ознакомьтесь с требованиями инструкции по безопасности. Не соблюдение требований данной инструкции может привести к поражению электрическим током, пожару или травмам.

**ХРАНИТЕ ДАННУЮ ИНСТРУКЦИЮ В ДОСТУПНОМ МЕСТЕ****Общие требования безопасности****1) Рабочее место**

- Содержите рабочее место чистым и свободным от посторонних предметов. Рабочее место должно быть хорошо освещено во избежание несчастных случаев.
- Не используйте изделие для работы во взрывоопасной атмосфере и вблизи от легковоспламеняющихся жидкостей. Электродвигатель изделия при работе искрит, и это может стать причиной пожара.
- Во время работы не допускайте посторонних и детей к рабочему месту.

**2) Электробезопасность**

- Сетевая розетка должна соответствовать штепсельной вилке, установленной на сетевом кабеле изделия. Запрещается внесение изменений в конструкцию вилки и использование любых переходников.
- Во время работы избегайте контакта с заземленными предметами: водопроводными трубами, радиаторами отопления и т.д. При контакте с заземленными предметами значительно возрастает риск поражения электрическим током.
- Предохраняйте изделие от воздействия воды и повышенной влажности. Попадание воды внутрь изделия может привести к поражению электрическим током.
- Берегите сетевой кабель изделия. Не используйте кабель для переноски изделия, не тяните за кабель чтобы выключить изделие. Располагайте кабель во время работы вдали от источников тепла, подвижных частей изделия и предметов с острыми краями. Поврежденный кабель может стать причиной поражения электрическим током.
- При работе изделием вне помещения применяйте удлинитель, специально предназначенный для эксплуатации на открытом воздухе. Использование специального удлинителя значительно снижает риск поражения электрическим током.
- Параметры сети для подключения изделия должны соответствовать параметрам, указанным на маркировочной табличке изделия (230 V~, 50 Hz).

**3) Личная безопасность**

- Не работайте изделием в состоянии алкогольного опьянения, под воздействием лекарств и в болезненном состоянии. Кратковременная потеря контроля над изделием во время работы может стать причиной серьезной травмы.
- Всегда применяйте средства индивидуальной защиты и защитные очки. К средствам индивидуальной защиты относятся: респиратор, нескользящая обувь и шумозащитные наушники, применение средств защиты сделает работу более комфортной и безопасной.
- Внимательно следите за тем, чтобы при включении изделия в сеть, клавиша выключателя не была зафиксирована во включенном положении. Это поможет избежать случайного включения изделия.
- Следите за тем, чтобы перед включением изделия из него были удалены регулировочные инструменты, отвертки и т.п. Попадание инструмента в подвижные части изделия при включении может стать причиной травмы и привести к выходу изделия из строя.
- При работе не занимайте неустойчивого положения. Всегда стойте на устойчивой опоре. Потеря равновесия во время работы может стать причиной серьезной травмы.
- Не одевайте для работы излишне свободную одежду и перед началом работы снимите ювелирные украшения. Если у Вас длинные волосы, спрячьте их под головной убор. Попадание краев одежды, ювелирных изделий и волос в движущиеся части изделия может привести к травме.

**4) Дополнительные требования безопасности**

- Держите инструмент за изолированные ручки или части корпуса если при выполнении работы есть риск попадания фрезы на сетевой шнур изделия.
- Проверяйте фрезы на отсутствие трещин и поломок перед началом работы. Поврежденные фрезы подлежат немедленной замене.
- Избегайте попадания фрезы на гвозди. Перед началом работы проверьте заготовку на отсутствие в ней гвоздей, шурупов и т.п.
- При работе прочно удерживайте изделие двумя руками.
- Перед включением изделия убедитесь, что фреза не касается заготовки.
- Перед началом работы дайте поработать изделию на холостых оборотах не менее 30 сек. При возникновении посторонних шумов и вибрации немедленно отключите изделие, и проверьте правильность установки фрезы.
- Проверьте, правильно ли выбрано направление подачи фрезы по отношению к направлению ее вращения.
- Не прикасайтесь к фрезе сразу после окончания работы, она может быть очень горячей, что может привести к ожогу.

**ЭКСПЛУАТАЦИЯ ИЗДЕЛИЯ**

**ВНИМАНИЕ!** Данное изделие предназначено для работы только с деревом и пластмассами.

- **Используйте тиски или иные зажимы для надежной фиксации заготовки.**
- **Не перегружайте изделие.**  
Используйте для определенных видов работ только предназначенный для них инструмент. Использование специализированного инструмента делает Вашу работу легкой и безопасной.
- **Не используйте изделие с неисправным выключателем.** Изделие, не поддающееся включению или выключению должно быть немедленно отремонтировано.
- **Обязательно отключайте изделие от сети во время проведения операций по его регулировке и смене оснастки.** Это поможет предотвратить случайное включение изделия.
- **Храните изделие в местах, недоступных детям, и лицам, не имеющим навыков работы.** Тщательно ухаживайте за изделием, применяемая с ним оснастка должна быть чистой и в рабочем состоянии.
- **Проверяйте легкость хода, целостность и отсутствие повреждений на подвижных и корпусных деталях изделия.**  
В случае обнаружения неисправности, прекратите эксплуатацию изделия и немедленно сдайте его в ремонт.
- **Используйте принадлежности и оснастку, рекомендованную для данного вида изделия.**
- **Следите за состоянием фрез, они должны быть чистыми, хорошо заточенными, и не иметь повреждений режущих кромок и хвостовика.** Это поможет избежать вибраций изделия во время работы, и обеспечит качественную обработку заготовки.

**Сервисное обслуживание**

- **Сервисное обслуживание изделия должно проводиться только в авторизованных сервисных центрах с использованием оригинальных запасных частей.**  
Обслуживание неквалифицированными лицами может привести к травмам при его использовании изделия или выходу его из строя.

**ОПИСАНИЕ****Лицевая сторона изделия (Рис.1)**

1. Электрический кабель
2. Рукоятки
3. Указатель направления вращения фрезы
4. Винты крепления параллельного упора
5. Подошва
6. Пазы подошвы
7. Поворотный упор
8. Фиксатор линейки ограничителя глубины хода фрезы
9. Линейка ограничителя глубины хода фрезы
10. Винт точной регулировки линейки ограничителя глубины хода фрезы

**Рис. А**

- a1. Метка перемещения линейки ограничения глубины хода фрезы

**Рис. В**

- b1. Упор линейки ограничения глубины хода фрезы

**Рис. С**

- c1. Направляющая параллельного упора  
c2. Параллельный упор

**Рис. D**

- d1. Фреза  
d2. Цанга

**Тыльная сторона изделия (Рис.2)**

11. Регулятор скорости вращения
12. Рычаг фиксатора
13. Кожух пылеотсоса
14. Шпиндель
15. Колонка направляющая
16. Кнопка блокировки выключателя
17. Клавиша выключателя

**Рис. Е**

- e1. Фиксатор шпинделя  
e2. Ключ

**Рис. F**

- f1. Шаблон  
f2. Заготовка

**Рис. G**

18. Винты крепления копировальной втулки

19. Копировальная втулка

**Рис. H**

- Схема правильного направления перемещения фрезера в время работы.

**СБОРКА И РЕГУЛИРОВКА****ВНИМАНИЕ!****Перед сборкой и регулировкой изделия:**

- отключите изделие от сети
- дождитесь полной остановки вращения шпинделя

**Подключение пылеотсоса**

- Наружный диаметр патрубка пылеотсоса - 39 мм., внутренний - 34 мм. Диаметр трубки на шланге пылесоса должен обеспечивать плотное соединение по наружному или внутреннему диаметру патрубка.

- Только при правильно подобранном диаметре трубки пылесоса возможно эффективное удаление опилок из рабочей зоны, и исключается случайное отсоединение пылесоса от фрезера во время работы.
- Мелкие опилки не только мешают работе, засоряя рабочую \ поверхность, но могут при попадании их в дыхательные пути нанести вред вашему здоровью.
- Напоминаем, что категорически запрещается обработка заготовок из асбестосодержащих материалов.

### Выбор оснастки

В данном изделии разрешается применение фрез со следующими диаметрами хвостовиков: 6 мм. и 8 мм.

Разрешается использовать фрезы со следующими обозначениями материала режущей части:

HSS - фрезы для работы по мягкой древесине.

TCT - фрезы для работы по твердой древесине.

### Установка фрезы

- Отключите изделие от сети, и дождитесь полной остановки шпинделя.
- Очистите шпиндель, гайку и клавишу фиксатора шпинделя от опилок.
- Проследите, чтобы на рабочей части новой фрезы не осталось защитной упаковочной пленки.
- Отпустите фиксатор (12), и поднимите подвижную часть изделия в крайнее верхнее положение.

### ВНИМАНИЕ!



Если вы производите замену фрезы во время работы, то помните: при работе фреза нагревается, и при попытке извлечь ее сразу после остановки изделия можно получить ожог. Дождитесь, чтобы раннее использовавшаяся фреза остыла, и после этого приступайте к ее замене.

- Нажмите кнопку фиксатора шпинделя (e1), и проворачивайте шпиндель рукой до того момента, когда фиксатор не сработает и вращение вала не остановится. Не отпускайте кнопку фиксатора.
- При помощи входящего в комплект изделия ключа (e2) ослабьте гайку и извлеките фрезу.
- Если необходима установка фрезы с другим диаметром хвостовика, то вставьте хвостовик фрезы в переходную втулку (62) необходимого Вам диаметра.
- Вставьте хвостовик фрезы или переходную втулку с фрезой в сборе в цанговый зажим, и рукой затяните винт цангового зажима.
- Нажмите кнопку фиксатора шпинделя, и при помощи ключа затяните цанговый зажим до упора.

- После замены фрезы, если это необходимо, произведите регулировку вертикального хода подвижной части изделия.

### Выбор скорости вращения

#### ВНИМАНИЕ!



Не производите изменение скорости вращения при работающем двигателе. Заранее, перед началом работы установите необходимую скорость вращения. Если вы хотите изменить скорость вращения в процессе работы, отключите изделие, и установите регулятор (11) в нужное положение.

- Необходимая скорость вращения выбирается исходя из типа обрабатываемой древесины и диаметра фрезы.
- Регулятор скорости вращения позволяет менять ее в пределах 11000 до 30000 оборотов в минуту.
- Выбор скорости вращения производится установкой вращающегося регулятора (11) в одно из 7 положений (от минимального «1» до максимального «7», с пятью промежуточными положениями). Наилучшие результаты при выборе скорости вращения достигаются опытным путем.
- При переходе в процессе работы с минимальных скоростей на максимальные, необходимо остановить изделие, и начинать работу на более высоких скоростях не ранее чем через 2 минуты, чтобы предотвратить перегрев двигателя.

### НАСТРОЙКА ГЛУБИНЫ ФРЕЗЕРОВАНИЯ

- Опустите несущую консоль до соприкосновения инструмента с поверхностью обрабатываемой детали, застопорите консоль фиксатором 12 и учтите положение консоли по вертикальной шкале как начальное (нулевое).
- Настройте первую степень глубины посредством ограничителя 9 и самого высокого уровня трехпозиционного упора 7, установив глубину хода по вертикальной шкале от начального положения консоли, и застопорите несущую консоль фиксатором 12.
- Застопорите также ограничитель 9 посредством винта-барашка 8 (три уровня трехпозиционной опоры предварительно должны быть выставлены на требуемую высоту).
- Вторая и третья степень глубины обеспечиваются поворотом диска трехпозиционного уровня 7 и перемещением несущей консоли до ограничителя соответствующего уровня.
- Контролируйте размер по вертикальной шкале или с помощью шаблона.

### Точная регулировка глубины хода фрезы

Точная регулировка глубины хода фрезы осуществляется вращением винта точной регулировки (10). Вращение винта (10) по часовой стрелке перемещает металлический стержень линейки вниз, против часовой стрелки - вверх.

Точная регулировка позволяет выполнять фрезерование с шагом в 1 мм.

## 7. РАБОТА

- Опустите подвижную часть изделия до касания фрезой плоскости заготовки
- Зафиксируйте положение подвижной части фиксатором (12)
- Опустите линейку (9) до касания ее металлического стержня площадки поворотного упора
- Запомните значение расположенное на линейке напротив метки (a1)
- Поднимите линейку вверх, переместив ее от начального значения на необходимое количество делений. Цена деления 1 мм.
- Зазор между стержнем линейки и площадкой поворотного упора будет являться величиной глубины хода фрезы.
- Зафиксируйте положение линейки (9) винтом (8)

### РАБОТА

#### Средства индивидуальной защиты

- Используйте защитные очки для предохранения глаз от стружки и пыли
- При длительной работе одевайте шумозащитные наушники
- Применяйте респиратор для защиты органов дыхания от мелкой стружки

#### Направление фрезерования

Всегда перемещайте изделие при фрезеровании относительно направления вращения фрезы так, как указано на рисунке Н.

Направление вращения фрезы указано стрелкой на корпусе редуктора изделия.

Перемещение при работе изделия в неправильном направлении не обеспечивает нормальной работы изделия, и может стать причиной травмы.

#### Включение и выключение

- Для включения изделия нажмите на кнопку блокировки выключателя (16), а потом на клавишу выключателя (17).
- Для выключения изделия отпустите клавишу (17), кнопка блокировки автоматически вернется в верхнее положение и заблокирует клавишу от случайного нажатия.

#### Фрезерование

- Установите фрезу в цанговый зажим и надежно затяните гайку зажима
- Выберите скорость вращения при помощи регулятора (11)
- Поверните рычаг фиксатора (12) и опустите подвижную часть вниз до касания стержня ограничительной линейки площадки поворотного упора
- Зафиксируйте подвижную часть в опущенном положении при помощи фиксатора (12)
- Включите изделие нажатием клавиши выключателя
- Начиная работу, прочно удерживайте изделие обеими руками

#### Сборка параллельного упора (См. Рис. С)

- Соедините параллельный упор (с2) и направляющие (с1) при помощи винтов
- Вставьте направляющие параллельного упора в пазы подошвы (6, Рис.1)

## 8. ОБСЛУЖИВАНИЕ

- Выберите необходимое Вам расстояние от плоскости параллельного упора до режущей части фрезы
- Зафиксируйте параллельный упор в этом положении винтами (4)
- При работе следите, чтобы параллельный упор плотно прилегал к плоскости торца заготовки

#### Установка и использование копировальной втулки (См. Рис. G)

Копировальная втулка позволяет производить фрезерование сложных криволинейных пазов и кромок с использованием наложенного на заготовку шаблона (См. Рис. F).

Установка копировальной втулки (См. Рис. G):

- Выкрутите винты 18 из подошвы изделия
- Совместите крепежные отверстия на копировальной втулке (19) с отверстиями на подошве
- Закрепите втулку винтами (18)
- Прочно зафиксируйте на верстаке заготовку (f2) с наложенным на нее шаблоном (f1) (См. Рис. F)
- Установите необходимую Вам глубину фрезерования при работе перемещайте изделие плавно, обеспечивая постоянный контакт копировальной втулки с наложенным на заготовку шаблоном

### ОБСЛУЖИВАНИЕ



**ВНИМАНИЕ!** Обслуживание изделия неквалифицированными лицами может привести к нарушению норм электробезопасности изделия.

Все работы по ремонту и замене узлов должны проводиться в авторизованном сервисном центре.

- Всегда отключайте изделие от сети перед его осмотром.
- Проверяйте затяжку винтов крепления корпусных деталей, и при необходимости подтягивайте их.
- Периодически прочищайте изделие струей сжатого воздуха для удаления из него пыли и стружки.
- Следите за чистотой вентиляционных окон на корпусе двигателя.
- **Не применяйте для чистки корпуса бензин или растворители, они могут повредить корпусные детали.**
- Периодически проверяйте состояние угольных щеток, и вовремя проводите их замену.



#### ВНИМАНИЕ!

Во всех нижеперечисленных случаях немедленно прекратите работу, и обратитесь в сервисный центр:

- При работе возникают повышенные вибрации, их причиной могут быть повреждение режущей части фрезы, неправильное ее крепление или повреждение цанги.
- Скорость вращения падает до ненормальной величины.
- При работе слышны удары или повышенный шум.